



'G' range of
**Field mounting loop powered
4/20mA indicators**

for use in **hazardous**

and **safe areas**

NEW
**Stainless Steel
enclosure**



visit our website www.beka.co.uk



- > *Compact robust GRP or SS enclosure*
- > *Large easy to read displays*
- > *Wide ambient temperature range*
- > *Economical*

BEKA
associates

'G' range...the economic solution for displaying 4/20mA signals in process areas

'G' field mounting 4/20mA indicators are robust loop powered instruments featuring large easy to read displays with proven reliability confirmed by many thousands of worldwide installations.

Available with a choice of four or five digit displays, in an IP66 GRP or stainless steel enclosure, the extended 'G' range includes a model for all applications. Available with many optional features, including display backlights, alarms and mounting kits, allowing users to reduce cost by only purchasing the features that their application requires.

The 'G' range includes internationally certified models with intrinsically safe Ex ia, Ex nA and Ex t approvals permitting worldwide installation in gas or dust hazardous areas.

Like all BEKA instruments, there is no additional charge for customer specified calibration and custom scale card labelling. BEKA indicators are delivered ready for installation.

Standard features on all models

- > Large, high contrast display shows 4/20mA loop current in engineering units.
- > Robust impact resistant IP66 GRP or 316 stainless steel enclosure.
- > Less than 1.2V drop in 4/20mA loop
- > Operating temperature -40°C to +70°C
- > Slide-in scale card showing units of measurement and tagging
- > Square root extractor, 16 segment adjustable lineariser & Tare function.
- > Accurate internal calibrator
- > Three year guarantee



Slide-in scale card

The 'G' range is just part of an extensive range of BEKA field and panel mounting loop powered indicators resulting from 35 years of continuous development.



'G' instrument panel mounted using BA494G panel mounting kit.

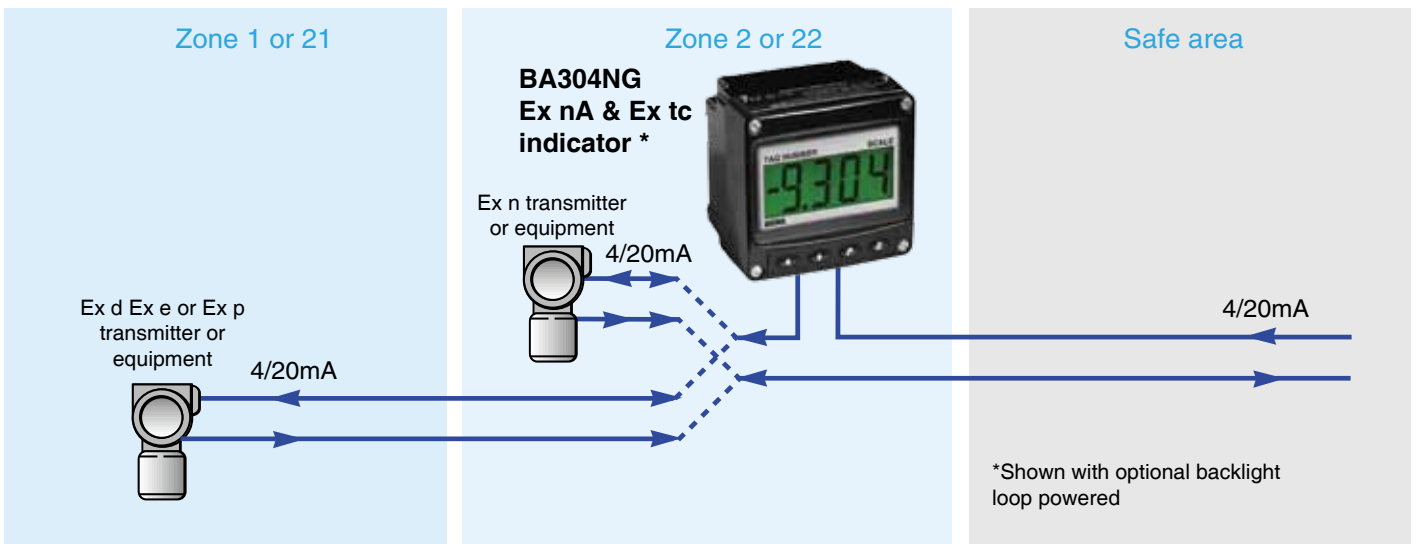
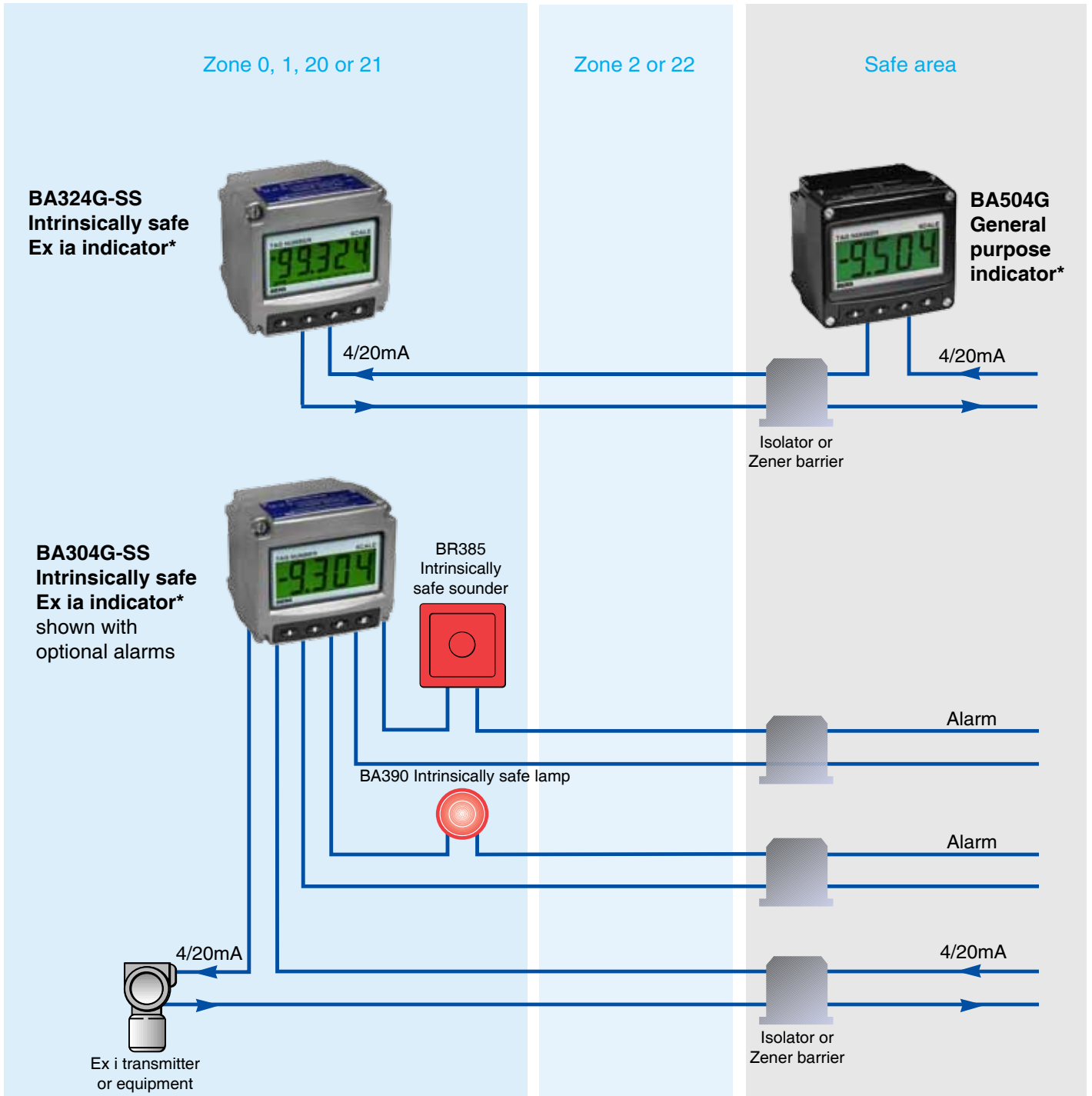


'G' instrument attached to pipe using BA393G pipe mounted kit.



Recently introduced models with 316 stainless steel IP66 enclosures are suitable for applications in marine and harsh environments.

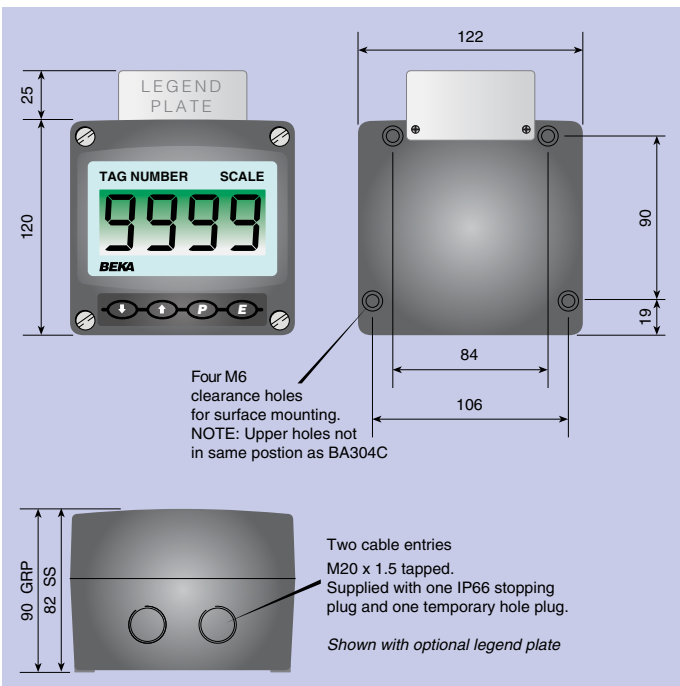
Typical applications



Models available

Model No.	Number of digits	Enclosure	Display digits height	31 Segment Bargraph	Europe ATEX		International IECEx		USA & Canada	
					Gas	Dust	Gas	Dust	Gas	Dust
Intrinsically safe Ex ia - for use in Zones 0, 1, 2, 20, 21 & 22										
BA304G	4	GRP	34mm	-	✓	✓	✓	✓	✓	✓
BA304G-SS	4	SS	34mm	-	✓	✓	✓	✓	✓	✓
BA324G	5	GRP	29mm	✓	✓	✓	✓	✓	✓	✓
BA324G-SS	5	SS	29mm	✓	✓	✓	✓	✓	✓	✓
Type Ex nA and Ex tc - for use in Zones 2 & 22 without Zener barriers or isolators										
BA304NG	4	GRP	34mm	-	✓	✓	✓	✓	✓	✓
BA324NG	5	GRP	29mm	✓	✓	✓	✓	✓	✓	✓
General Purpose - for use in safe areas										
BA504G	4	GRP	34mm	-						
BA504G-SS	4	SS	34mm	-						
BA524G	5	GRP	29mm	✓						
BA524G-SS	5	SS	29mm	✓						

Dimensions for GRP and Stainless Steel models



OPTIONS & ACCESSORIES

Backlight

May be loop or separately powered.

Dual alarms

Two galvanically isolated solid state outputs.

Scale card

Slide-in card printed with customer specified legend

Legend plate

Stainless steel plate, can be supplied laser engraved with customer specified legend.

Pipe mounting kit

BA393G 316 stainless steel pipe mounting bracket attaches the indicator to any vertical or horizontal pipe with an outside diameter between 40 and 73mm.

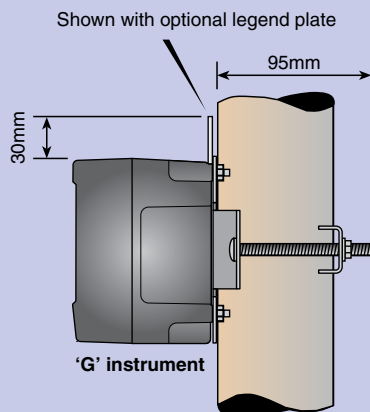
Panel mounting kits

BA394G for GRP or stainless steel indicator does not seal the panel.

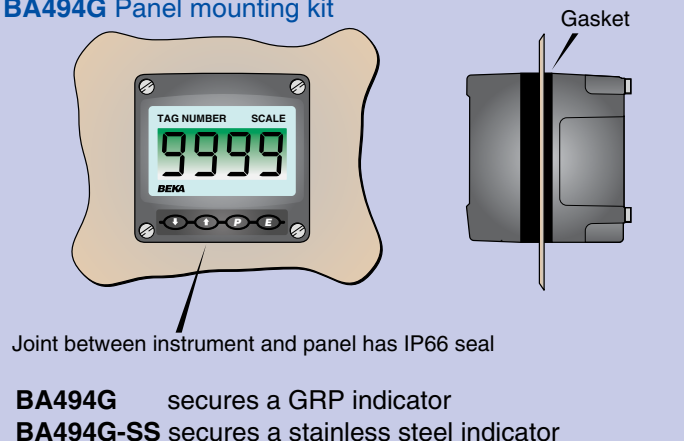
BA494G sealing panel mounting kit secures the GRP indicator in a panel aperture and seals the panel.

BA494G-SS for stainless steel indicator seals the panel.

BA393G 316 Stainless Steel pipe mounting kit



BA494G Panel mounting kit



BEKA associates Ltd

Old Charlton Road, Hitchin, Hertfordshire SG5 2DA England
 Telephone +44 (0) 1462 438301 Fax +44 (0) 1462 453971

www.beka.co.uk
 e-mail: sales@beka.co.uk