

1. DESCRIPTION

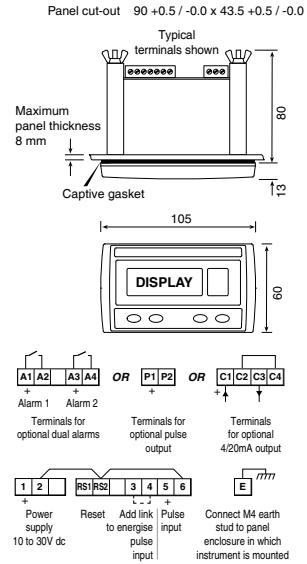
The BA567E-SS is a general purpose, one input Counter housed in a rugged 316 stainless steel panel mounting enclosure which can operate with a wide range of sensors.

This abbreviated instruction sheet is intended to assist with installation, a comprehensive instruction manual describing system design and configuration may be downloaded from the BEKA website or may be requested from the BEKA sales office.

2. INSTALLATION

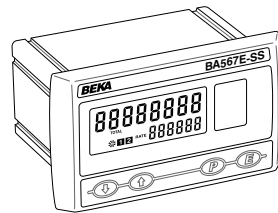
Cut-out dimensions

Mandatory to achieve an IP66 seal between instrument and panel.



Support panel wiring to prevent vibration damage
Fig 1 Cut-out dimensions and terminals

Abbreviated instructions for BA567E-SS Rugged one input general purpose Counter



Issue 4
16th May 2023

BEKA associates Ltd. Old Charlton Rd, Hitchin, Hertfordshire, SG5 2DA, UK Tel: +44(0)1462 438301 Fax: +44(0)1462 453971 e-mail: sales@beka.co.uk web: www.beka.co.uk

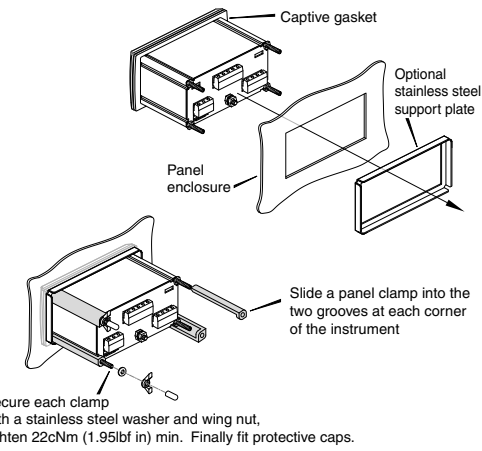


Fig 2 Installation procedure

EMC

For specified immunity all wiring should be in screened twisted pairs with screens earthed at one point.

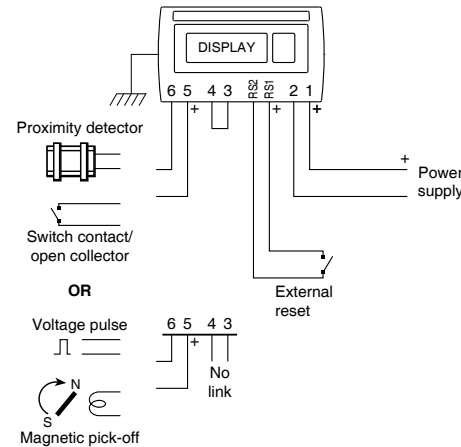


Fig 3 Typical system

Scale card

The Counter's units of measurement are shown on a printed scale card visible through a window at the right hand side of the display. The scale card is mounted on a flexible strip that is inserted into a slot at the rear of the instrument as shown below

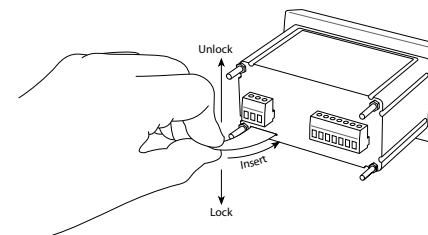


Fig 4 Inserting flexible strip carrying scale card into slot at the rear of Counter.

Thus the scale card can easily be changed without removing the Counter from the panel or opening the instrument enclosure.

New Counters are supplied with a printed scale card showing the requested units of measurement, if this information is not supplied when the Counter is ordered a blank card will be fitted. A pack of self-adhesive scale cards printed with common units of measurement is available as an accessory from BEKA associates. Custom printed scale cards can also be supplied.

To change a scale card, unclip the protruding end of the flexible strip by gently pushing it upwards and pulling it out of the enclosure. Peel the existing scale card from the flexible strip and replace it with a new printed card, which should be aligned as shown below. Do not fit a new scale card on top of an existing card.

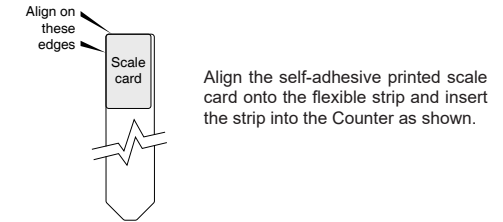


Fig 5 Fitting scale card to flexible strip

3. OPERATION

The Counter is controlled by four front panel push buttons. When in the operating mode they have the following functions:

- [P] + [E]** Access to configuration menu.
- [▼] + [▲]** If Local Total Reset [Lr Tot] in the instrument configuration menu has been activated, operating the [▼] and [▲] buttons simultaneously for three seconds will reset the total display to zero and clear any pulses stored in the optional pulse output.
- [E] + [▼]** Grand total - shows Lo followed by least significant 8 digits of the 16 digit grand total.
- [E] + [▲]** Grand total - shows Hi followed by the most significant 8 digits of the 16 digit grand total. If Local Grand Total Reset [Lr GtRst] in the instrument configuration menu has been activated, operating the [E] and [▲] buttons simultaneously for ten seconds will result in [Lr.no] being displayed with the no flashing. Operating the [▲] or [▼] button will change the display to [Lr .9E5], the [E] button will then reset the grand total to zero which will be confirmed by a brief display of Gt [Lrd].
- [P] + [▼]** Shows in succession, firmware version number, instrument function CountEr and any output accessories that are fitted:
 - R Dual Alarm Outputs
 - P Pulse output
 - C 4/20mA output.
- [P] + [▲]** When optional alarms are fitted provides direct access to the alarm setpoints if RSEp (access setpoints) has been enabled in the configuration menu.

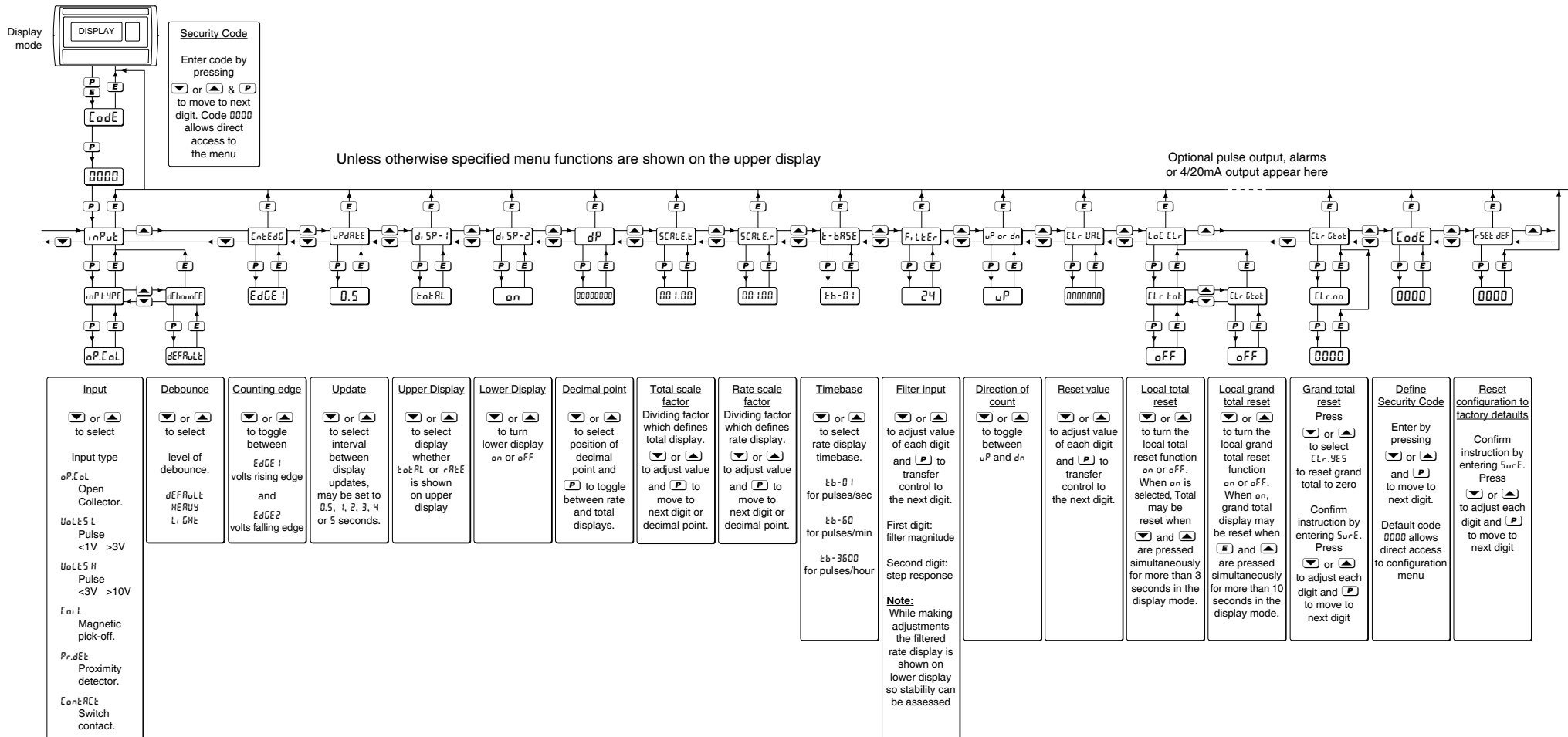
The BA567E-SS is CE marked to show compliance with the EMC Directive 2014/30/EU. It is also UKCA marked to show compliance with UK Electromagnetic Compatibility Regulations UKSI 2016:1091 (as amended)

4. CONFIGURATION

Counters are supplied configured as requested at time of ordering, if not specified default configuration will be supplied but can easily be changed on-site.

Fig 6 shows the location of each function within the configuration menu with a brief summary of the function. Please refer to the full instruction manual for detailed configuration information and optional outputs.

Access to the configuration menu is obtained by pressing the **[P]** and **[E]** buttons simultaneously. If the Counter's security code is set to default 0000 the first parameter, **INPUL** will be displayed. If the instrument is protected by a security code, **CODE** will be displayed. The four digit code must be entered to gain access to the menu.



Manuals, certificates and data-sheets can be downloaded from <http://www.beka.co.uk/ba567e-ss>

Fig 6 Configuration menu

Modifications

- Issue 1 27 July 2016
- Issue 2 16th Sept 2016
Various text & diagram corrections made.
CRN 1616.
- Issue 3 21st April 2017
Panel cut-out dims updated
CRN 1652
- Issue 4 16th May 2023
Compliance with UK Electromagnetic Compatibility Regulations UKSI 2016:1091 (as amended) added.
CRN 1993.