

Description

Intrinsically safe instruments incorporating push-buttons and two solid state outputs that can display text and simple graphics in a hazardous area. The field mounting BA484D and the panel mounting BA488C are low cost operator interfaces incorporating Modbus RTU, BEKA and a Legacy protocol, ideal for simple machine and process control applications.

Model	Mounting	Material	Power and communication
BA484D	Field mounting	GRP with separate terminal compartment, IP66	Via safe area mounted BA201 communication isolator which has a selectable RS232 or RS485 port.
BA488C	Panel mounting	Noryl & aluminium with IP66 front panel	

Intrinsic safety

Both models have IECEx, ATEX and UKEX gas certification, plus other approvals, such as FM. The field mounting model has optional dust certification. See full instructions.

Certification codes

II 1G Ex ia IIC T5 Ga -40°C ≤ Ta ≤ +60°C

Optional dust certification for BA484D

II 2D Ex ia IIIC T80° Db IP66 -40°C ≤ Ta ≤ +60°C

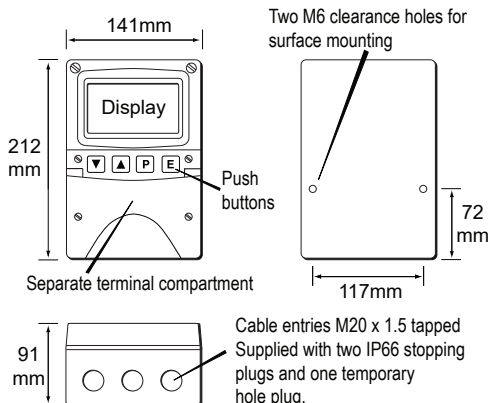
Safety parameters:

See full instructions or certificate

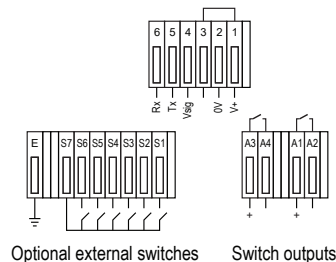
Special conditions for safe use

BA484D for use in a dust atmosphere	Dust certification is an option. Confirm correct model by checking product label before installation in a dust atmosphere.
Both models	Installation in Zone 0 shall be such that an ignition due to impact between iron/steel and the aluminium label of field mounting models, or the aluminium enclosure of panel mounting models is excluded.

Installation: BA484D Field mounting

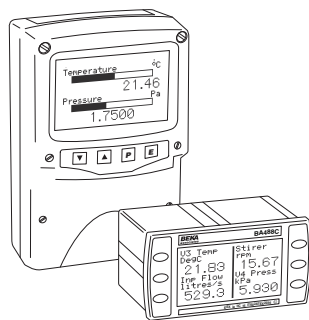


Terminal Connections: BA484D Field mounting



Essential Health and Safety Requirements for BA484D & BA488C Intrinsically Safe Modbus RTU displays Serial Data displays

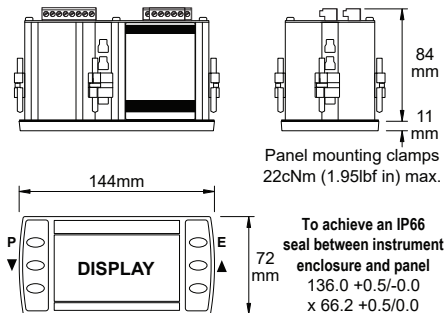
UK



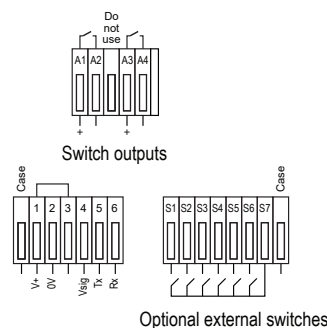
Issue 1
10th June 2024

BEKA associates Ltd. Old Charlton Rd, Hitchin, Hertfordshire, SG5 2DA, UK Tel: +44(0)1462 438301 e-mail: sales@beka.co.uk web: www.beka.co.uk

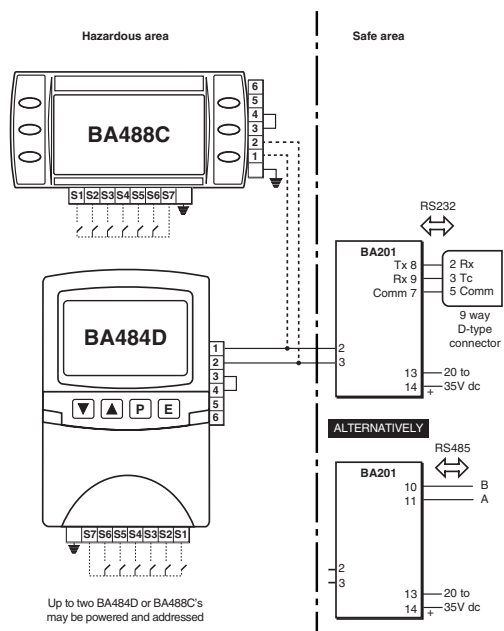
Installation: BA488C Panel mounting



Terminal Connections: BA488C Panel mounting



Connections



Combined EU Declaration of Conformity

This declaration of conformity for electrical apparatus is issued under the sole responsibility of the manufacturer.

Description

BA484D field mounting & BA488C panel mounting Modbus RTU Serial Data displays.

Manufactured by

BEKA associates Ltd, Old Charlton Road, Hitchin, Herts. UK. SG5 2DA

Council Directives this equipment complies with: 2014/34/EU (ATEX Directive)

Relating to equipment and protective systems intended for use in potentially explosive atmospheres.

Provisions of the Directive fulfilled by the equipment:

BA484D
ITS02ATEX2035/2 issue 2 23/01/2012
Group II Category 1G
Ex ia IIC T5 Ga -40°C ≤ ta ≤ +60°C

Optional Group II Category 2D
Ex ia IIIC T80°C Db -40°C ≤ ta ≤ +60°C IP66

BA488C

ITS02ATEX2036/1X issue 1 23/01/2012
Group II Category 1G
Ex ia IIC T5 Ga -40°C ≤ ta ≤ +60°C

Notified Body for EU-Type Examination and production

INTERTEK ITALIA SPA 2575
Via Guido Miglioli, 2/A 20063
Cernusco sul Naviglio (MI) Italy

Standards used:

IEC 60079-0:2011 and IEC 60079-11:2011
Remains compliant with EN IEC 60079-0:2018; EN 60079-11:2012

2014/30/EU (EMC Directive)

Standards used:
EN 61326-1:2021

2011/65/EU (RoHS Directive) relating to hazardous substances in electronic and electrical equipment.

2015/863/EU additional substances added by amending Annex II to Directive 2011/65/EU as regards the list of restricted substances.

CE mark first affixed in 2002

Authorised Signatory: Issue 1 16th Feb 2023

Olivier Lebreton

Olivier Lebreton CEng MIET
Managing Director

