

## Description BA390X

The BA390X is an intrinsically safe panel mounting lamp that has IECEx, ATEX UKEX and FM certification. Each lamp has a constant brilliance and consumes a constant 20mA. No external current limiting resistor is required.

## Description BA390SX

The BA390SX is intended for low current applications. It is identical to the BA390X but does not include an internal 20mA current sink, therefore the current must be defined by an external resistor or a current regulator.

## Models

Both the BA390X and BA390SX are available in five different colours identified by the 'X' suffix

R Red; G Green; A Amber; B Blue; W White.

## Intrinsic safety

IECEx, ATEX & UKEX gas and dust certification.

### Code

II 1 G Ex ia IIC T4 Ga  
II 1 D Ex ia IIIC T135°C Da  
 $-20^{\circ}\text{C} \leq T_a \leq 60^{\circ}\text{C}$

### Parameters

$U_i = 30\text{V}$   
 $I_i = 159\text{mA}$   
 $P_i = 1.2\text{W}$  for gas  
 $0.683\text{W}$  for dust  
 $C_i = 0$   
 $L_i = 0$

## Repair

No attempt should be made to repair a faulty lamp, it should be returned to BEKA associates or to your local agent.

## Disposal

Lamps should be correctly disposed of, not in household rubbish.

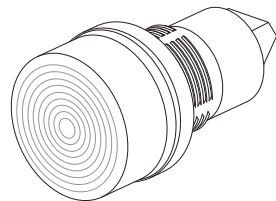
## Special conditions for safe use

To prevent the accumulation of an electrostatic charge. Each lamp carries the following warning:

**Potential Electrostatic Hazard**  
**Clean with Damp Cloth**

**Essential Health & Safety Requirements for BA390X & BA390SX Intrinsically Safe LED Panel Lamps**

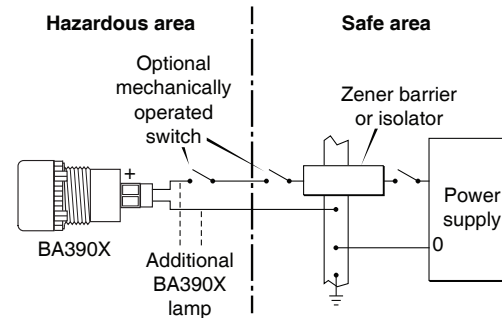
UK



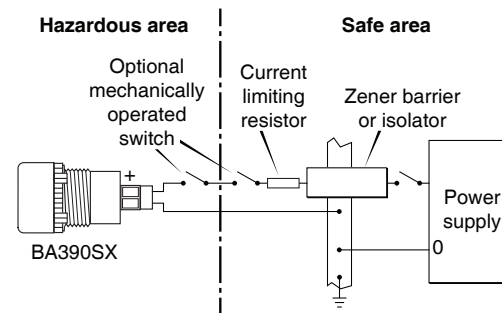
Issue 1  
10th June 2024

BEKA associates Ltd. Old Charlton Rd, Hitchin, Hertfordshire, SG5 2DA, UK  
Tel: +44(0)1462 438301 e-mail: sales@beka.co.uk  
web: www.beka.co.uk

## Typical BA390X lamp circuit



## Typical BA390SX lamp circuit

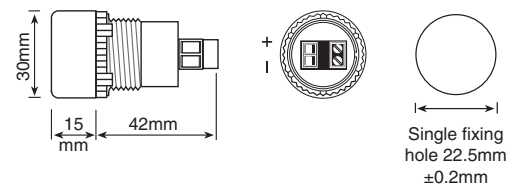


## Installation

To provide an IP66 seal between the lamp and the mounting panel, supplied gasket should be fitted between lamp body and the panel.

Securing nut should be tightened between 120 & 140 cNm (10.6 & 12.4inlb)

The rear of the lamp body has IP20 protection that may be increased to IP66 using the optional BA599 rear sealing assembly.



Lamp dimensions

## EU Declaration of Conformity

This declaration of conformity for electrical apparatus BA390 & BA390S is issued under the sole responsibility of the manufacturer.

### Description

BA390 & BA390S are panel mounting, intrinsically safe LED Cluster Lamps

### Manufactured by

BEKA associates Ltd, Old Charlton Road, Hitchin, Herts. UK. SG5 2DA

**Council Directives this equipment complies with:**  
**2014/34/EU (ATEX Directive)**

Relating to equipment and protective systems intended for use in potentially explosive atmospheres.

**Provisions of the Directive fulfilled by the equipment:**

Group II Category 1G  
Ex ia IIC T4 Ga  $-20^{\circ}\text{C} \leq T_a \leq +60^{\circ}\text{C}$   
Group II Category 1D  
Ex ia IIIC T135°C Da  $-20^{\circ}\text{C} \leq T_a \leq +60^{\circ}\text{C}$

**Notified Body for EU-Type examination and production**

INTERTEK ITALIA SPA 2575  
Via Guido Miglioli, 2/A 20063  
Cernusco sul Naviglio (MI) Italy

**EU-Type Examination Certificate**

ITS13ATEX27822X issue 1 dated 12/06/2018

**Standards used:**

EN 60079-0:2012, EN 60079-11:2012  
Compliant with EN IEC 60079-0:2018

**2014/30/EU (EMC Directive)**

**Standards used:**

EN 61326-1:2021

**2011/65/EU (RoHS Directive)** relating to hazardous substances in electronic and electrical equipment.

**2015/863/EU** additional substances added by amending Annex II to Directive 2011/65/EU as regards the list of restricted substances.

**mark first affixed in 2001**

**Authorised Signatory:** Issue 14 19th Jan 2023

Olivier Lebreton CEng MIET  
Managing Director



Manuals, certificates and datasheets can be downloaded from <https://www.beka.co.uk/ba390>