

## Description

Field mounting Ex eb, 4/20mA loop-powered digital indicators which display the input current in engineering units. These indicators may be used as an alternative to a certified flameproof Ex d indicator in Zones 1 & 2, or as a replacement for an Ex n instrument in Zone 2.

Model	Mounting	Digits	Enclosure material
BA304SG	Field mounting	4 x 34mm high	GRP IP66
BA324SG		5 x 29mm high & bargraph	

## Increased safety 'Ex eb' and dust ignition protection by enclosure 'Ex tb'

Both models have IECEx, ATEX, UKEX and North American gas and dust certification

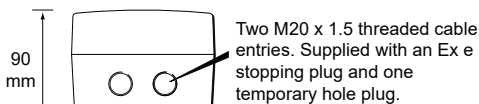
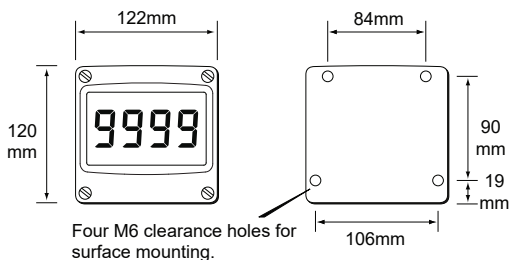
### Code:

II 2 G Ex eb ib mb IIC T5 Gb  
 II 2 D Ex ib mb tb IIIC T80°C Db  
 -40°C ≤ Ta ≤ +60°C  
 Un = 30V DC

## Special conditions for safe use of both models

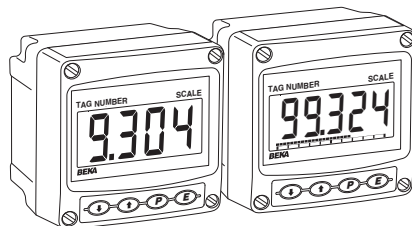
The indicators shall be supplied from a SELF (separated or safety extra low voltage) or PELV (protected extra-low voltage) supply or from adequately approved supply providing double or reinforced insulation as required by standard IEC 60079-14.

## Installation for both models



**Essential Health and Safety requirements for BA304SG and BA324SG loop powered 4/20mA indicators**

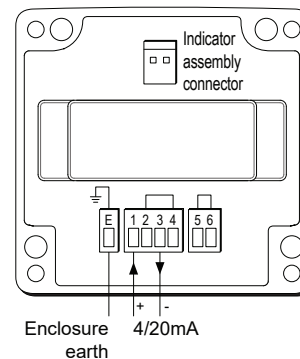
**UK**



Issue 1  
10th June 2024

**BEKA associates Ltd.** Old Charlton Rd, Hitchin, Hertfordshire, SG5 2DA, UK  
 Tel: +44(0)1462 438301 e-mail: sales@beka.co.uk  
 web: www.beka.co.uk

## Connections for both models



Terminals 2 & 4 internally linked for joining return 4/20mA wire.  
 Terminals 5 & 6 internally linked for joining cable screens.

Each terminal can accommodate one 0.2 - 2.5mm<sup>2</sup> solid conductor.  
 OR  
 One 0.2 - 1.5mm<sup>2</sup> stranded conductor.

## Repair

No attempt should be made to repair a faulty BA304SG or BA324SG. Suspect units should be returned to BEKA associates or your local agent.

## Disposal

BA304SG or BA324SG's should be correctly disposed of, not in household rubbish

## EU Declaration of Conformity

**This declaration of conformity for electrical apparatus is issued under the sole responsibility of the manufacturer.**

### Description of electrical apparatus

The BA304SG 4 digit and BA324SG 5 digit are Ex eb and Ex tb field mounting 4/20mA loop powered indicators.

### Manufactured by

BEKA associates Ltd, Old Charlton Road, Hitchin, Herts. UK. SG5 2DA

### Council Directives this equipment complies with:

#### 2014/34/EU (ATEX Directive)

Relating to equipment and protective systems intended for use in potentially explosive atmospheres.

#### Provisions of the Directive fulfilled by the equipment:

⊕ ITS19ATEX304891X  
 Issue 0 dated 8th August 2019.

Group II Category 2G  
 Ex eb ib mb IIC T5 Gb  
 -40°C ≤ Ta ≤ +60°C

Group II Category 2D  
 Ex ib mb tb IIIC T80°C Db  
 -40°C ≤ Ta ≤ +60°C

#### Notified Body for EU-Type Examination and production

INTERTEK ITALIA SPA 2575  
 Via Guido Miglioli, 2/A 20063  
 Cernusco sul Naviglio (MI) Italy.

#### Compliant with standards:

EN IEC 60079-0:2018;  
 EN IEC 60079-7:2015 + A1:2018 + Corr 2019;  
 EN 60079-11:2012;  
 EN 60079-18:2015 + A1:2017 and EN 60079-31:2014

#### 2014/30/EU (EMC Directive)

**Standards used:**  
 EN 61326-1:2021

**2011/65/EU (RoHS Directive)** relating to hazardous substances in electronic and electrical equipment.

**2015/863/EU** additional substances added by amending Annex II to Directive 2011/65/EU as regards the list of restricted substances.

**CE mark first affixed in 2019**

**Authorised Signatory:** Issue 5 19th Jan 2023

Olivier Lebreton CEng MIET  
 Managing Director



Manuals, certificates and datasheets can be downloaded from  
[https://www.beka.co.uk/304sg\\_324sg](https://www.beka.co.uk/304sg_324sg)