

Opis

Vgrajeni v procesu in vgradni modeli lastnovarnih prikazovalnikov v tokovni zanki 4/20 mA, ki na ekranu prikazujejo procesne veličine glede na vhodni tok v odgovarjajočih enotah.

Model	Vgradnja	Številke	Material ohišja	Izrez na vratih
BA304G	Vgradnja v procesu	4 x 34mm Visok	GRP	Ni navedeno
BA304G-SS		5 x 29mm Visok + bargraf	316 SS	
BA324G			GRP	
BA324G-SS			316 SS	
BA307E	Vgradnja v vrata 96 x 48mm	4 x 15mm Visok	Noryl	90.0 +0.5/-0 x 43.5 +0.5/-0
BA327E		5 x 12.7mm Visok + bargraf		
BA308E	Vgradnja v vrata 144x 72mm	4 x 34mm Visok		136 +0.5/-0 x 66.2 +0.5/-0
BA328E		5 x 29mm Visok + bargraf		
BA307E-SS	Vgradnja v vrata 105x 60mm	4 x 15mm Visok	316 SS	90.0 +0.5/-0 x 43.5 +0.5/-0
BA327E-SS		5 x 12.7mm Visok + bargraf		

Lastnovaren Certifikati IECEx, ATEX in UKCA za plin in prah. Na voljo so tudi drugi certifikati, kot sta cFM in cETL, glejte navodila za uporabo za podrobnosti.

Koda:

II 1 G Ex ia IIC T5 Ga
 II 2 D Ex ia IIIC T80°C Db IP66 Vgradnja v procesu
 Ex ia IIIC T80°C Db IP20 Vgradnja v vrata
 -40°C ≤ Ta ≤ +70°C

Parametri:

Tokokrog	Vhodni parametri			Izhodni parametri
	Ui	Ii	Pi	
Vhod 4/20 mA z napajanjem osvetlitve ozadja ali brez	30V	200mA	0.84W	Izpolnjevanje zahtev za enostavne naprave
Opcijski alarmi				
Opcijska osvetlitev ozadja z lastnim napajanjem				

Posebni pogoji za varno uporabo – glejte certifikate

BA304G BA324G	Pri namestitvi v coni 0 mora biti namestitev takšna, da je onemogočen vžig zaradi stika/udarca med aluminijasto nalepko in železom oz. jeklom.
BA307E BA308E BA327E BA328E	Pri uporabi v okolju s prevodnim prahom skupine IIIC morajo imeti priključne sponke vsaj zaščito IP6X. Da bi se izognili elektrostatičnemu naboju, se ohišje lahko čisti le z vlažno krpo.
BA307E-SS BA327E-SS	Pri uporabi v okolju s prevodnim prahom skupine IIIC morajo imeti priključne sponke vsaj zaščito IP6X. Če je prikazovalnik nameščen v ohišje Ex ta, tb px, py, pz ali e, to ne vpliva na certifikat ohišja, vendar mora biti prikazovalnik napajen z ustrežno varnostno bariero ali galvanskim ločilnikom.

Popravila

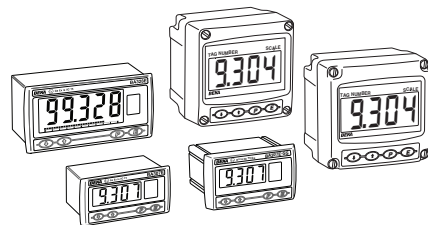
Pokvarjenega prikazovalnika ne smete popravljati sami, temveč ga morate vrniti proizvajalcu BEKA ali lokalnemu zastopniku.

Odstranjevanje

Prikazovalnike je potrebno ustrezno odstraniti, saj ne spadajo med gospodinjne odpadke.

Bistvene zdravstvene in varnostne zahteve za prikazovalnike v tokovni zanki 4/20 mA
BA304G, BA304G-SS, BA324G, BA324G-SS, BA307E, BA307E-SS, BA327E, BA327E-SS, BA308E & BA328E

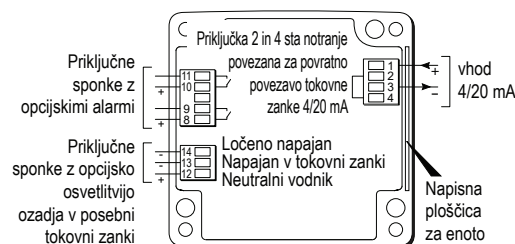
SI



Issue 1
28th February 2023

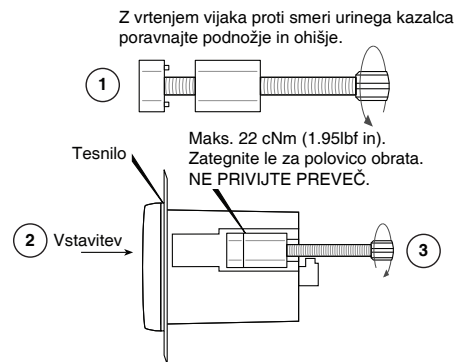
BEKA associates Ltd. Old Charlton Rd, Hitchin, Hertfordshire, SG5 2DA, UK
 Tel: +44(0)1462 438301 e-mail: sales@beka.co.uk
 web: www.beka.co.uk

Namestitev in priključitev: Modeli za vgradnjo v procesu BA304G, BA304G-SS, BA324G, BA324G-SS

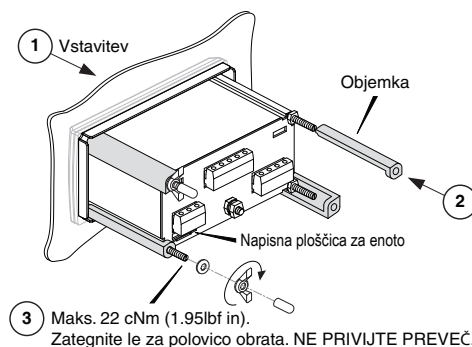


Doza ima štiri izvrtine M6 za učvrstitve in dve izvrtini za uvodnice M20 x 1,5.

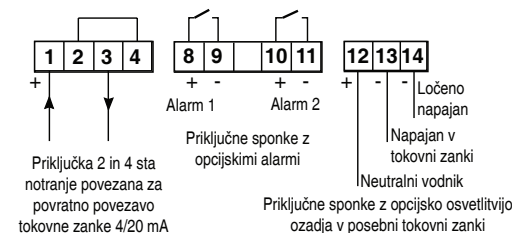
Namestitev: modeli za panelno vgradnjo BA307E, BA327E, BA308E & BA328E



Namestitev: modeli za panelno vgradnjo BA307E-SS & BA327E-SS



Povezave: Modeli za panelno vgradnjo BA307E, BA327E, BA308E, BA328E, BA307E-SS and BA327E-SS



Kombinirana Izjava EU o skladnosti

Description of Electrical Apparatus

BA304G, BA304G-SS 4 digit; BA324G, BA324G-SS 5 digit field mounting (Intrinsically safe 4/20mA loop powered indicators)

BA307E, BA307E-SS, BA308E 4 digit; BA327E, BA327E-SS, BA328E 5 digit panel mounting (-SS models have a stainless steel enclosure)

Manufactured by

BEKA associates Ltd, Old Charlton Road, Hitchin, Herts. UK. SG5 2DA

Council Directives this equipment complies with: 2014/34/EU (ATEX Directive)

Relating to equipment and protective systems intended for use in potentially explosive atmospheres.

Provisions of the Directive fulfilled by the equipment:

Ex Group II Category 1G Ex ia IIC T5 Ga Ta -40°C to +70°C
 Group II Category 2D Ex ia IIIC T80°C Db (IP66 field IP20 panel) Ta -40°C to +70°C

Notified Body for EU-Type Examination and production

INTERTEK ITALIA SPA 2575 Via Guido Miglioli, 2/A 20063 Cernusco sul Naviglio (MI) Italy.

EU-Type Examination Certificates

ITS11ATEX27253X Issue 2 12th August 2015.
 ITS11ATEX27254X Issue 4 16th October 2017.
 ITS14ATEX28077X issue 1 19th August 2014.

Standards used:

Compliant with EN IEC 60079-0:2018; EN 60079-11:2012 except in respect of those requirements referred to at item 16 of the Schedule.

2014/30/EU (EMC Directive)

Standards used:
 EN 61326-1:2013

2011/65/EU (RoHS Directive) relating to hazardous substances in electronic and electrical equipment.

2015/863/EU additional substances added by amending Annex II to Directive 2011/65/EU as regards the list of restricted substances.

CE mark first affixed in 2011

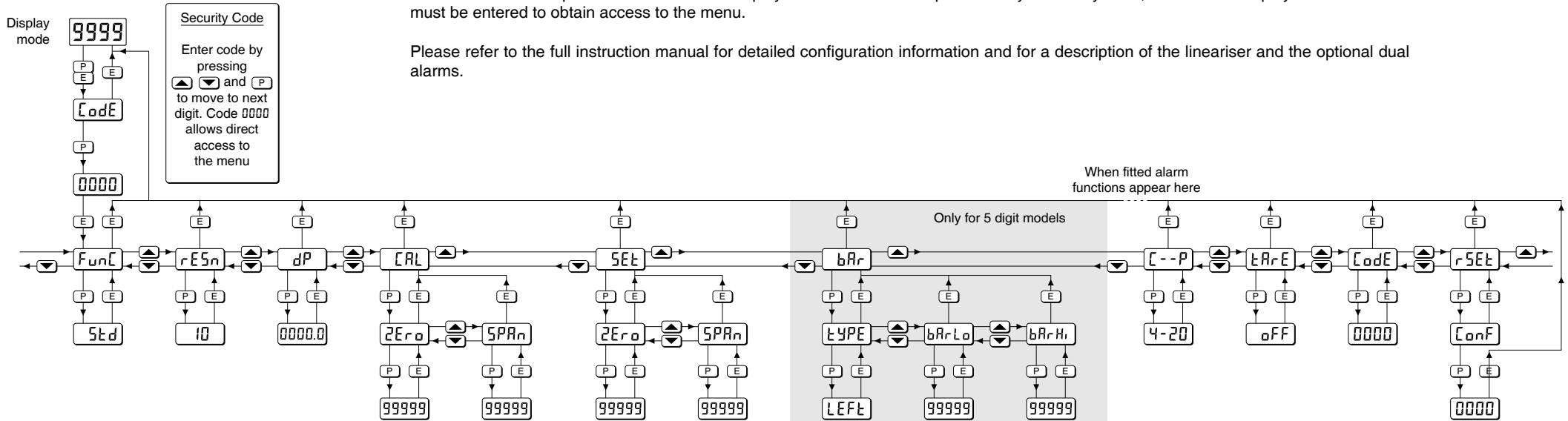
Authorised Signatory: Issue 1 19th October 2022

Olivier Lebreton
 Olivier Lebreton CEng MIET
 Managing Director

CONFIGURATION

Access to the configuration menu is obtained by pressing the **[P]** and **[E]** buttons simultaneously. If the indicator security code is set to the default 0000 the first parameter **Func** will be displayed. If the indicator is protected by a security code, **Code** will be displayed and the code must be entered to obtain access to the menu.

Please refer to the full instruction manual for detailed configuration information and for a description of the lineariser and the optional dual alarms.



Function
 ▲ or ▼ to select
 Std for standard function.
 root for root extractor.
 Lin for lineariser

Resolution
 ▲ or ▼ to select resolution of least significant digit

Decimal point
 ▲ or ▼ to select position of dummy decimal point

Calibration using external current source (Preferred method)
 With accurate 4mA input current set required zero display by pressing ▲ or ▼ and [P] to move to the next digit
 Similarly, using accurate 20mA input current set required full scale display
 Any current between 4 and 20mA may be used providing difference is > 4mA

Calibration using internal references (Input current may be any value)
 Using 2Er0 function set required display at 4mA by pressing ▲ or ▼ and [P] to move to the next digit
 Similarly, using SPRn function set required display at 20mA


Select type of bargraph display and define start and finish relative to digital display
 Using the tYPE function select required bargraph justification by pressing ▲ or ▼
 Using the bARLo function set the digital display at which the bargraph is required to start by pressing ▲ or ▼ and [P] to move to the next digit. Similarly using the bARHi function set digital display at which the bargraph is required to finish

Function of [P] button in display mode
 Press ▲ or ▼ to toggle between 4-20mA and % of span

Tare Function
 Press ▲ or ▼ to turn tArE on or oFF

Define Security Code
 Enter by pressing ▲ or ▼ and [P] to move to next digit

Reset indicator configuration
 Press ▲ or ▼ to select Conf to reset indicator or LrB to reset lineariser to default configuration.
 Confirm selection by entering SurE by pressing ▲ or ▼ and [P] to move to next digit



Manuals, certificates and data-sheets can be downloaded from <https://www.beka.co.uk/lpi01>