

描述

就地安装和盘装本安现场总线指示仪支持2种不同的协议。
支持8个变量的产品可以设置为一个现场总线设备或现场总线监听器。

型号	现场总线协议	外壳	变量	供电
BA414DF-P (*)	PROFIBUS-PA	GRP 就地安装	1	总线供电
BA414DF-F	FOUNDATION™ fieldbus		8	
BA444DF-P	PROFIBUS-PA		1	
BA444DF-F	FOUNDATION™ fieldbus		8	
BA418CF-F	FOUNDATION™ fieldbus	盘装	1	
BA448CF-F	PROFIBUS-PA		8	
BA448CF-P	FOUNDATION™ fieldbus		1	
BA448CF-F	FOUNDATION™ fieldbus		8	

(*) 目前尚未生产

本质安全

所有产品均取得IECEX, ATEX和UKCA气体防爆认证, 以及FM认证。请查看完整的手册。
符合GB/T 3836.1-2021和GB/T 3836.4-2021要求。

认证标志及输入参数:

II 1 G Ex ia IIC T4 Ga Entity 参数
FISCO field device Ex ia IIC T4 Ga FISCO 参数
II 3 G Ex ic IIC T4 Gc Entity 参数
Ci = 0 Li = 8 μH
-40 ° C ≤ Ta ≤ 70 ° C

参数	FISCO	Ex i entity	Ex ic entity
Ui	17.5V	22V	32V
Ii	380mA	250mA	125mA
Pi	5.32W	1.2W	1W

特殊使用条件

所有产品	安装在0区时应防止就地安装产品的铸铁/钢制外壳与铝制铭牌, 或盘装产品的铝制外壳由于冲击或摩擦引起的点燃危险。
------	---

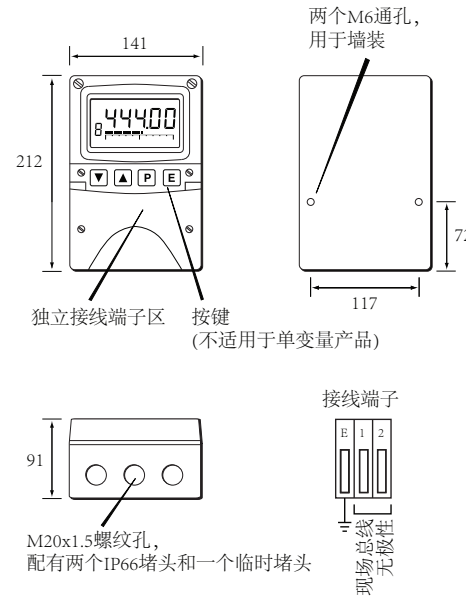


使用手册
证书和数据表可以从以下链接下载
<https://www.beka.co.uk/ba414>

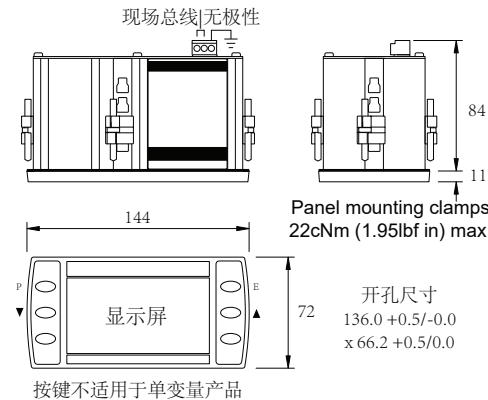
版本1
2023年11月27日

BEKA associates Ltd. Old Charlton Rd, Hitchin, Hertfordshire, SG5 2DA, UK Tel: +44(0)1462 438301 e-mail: sales@beka.co.uk web: www.beka.co.uk

安装与连接: 现场安装



安装与连接: 盘装



维修

请勿维修故障的现场总线指示仪, 请将产品返回给BEKA公司或您当地的代理商。

处置

现场总线指示仪应被正确处置, 不是家庭垃圾。

EU Declaration of Conformity

This declaration of conformity for electrical apparatus is issued under the sole responsibility of the manufacturer.

Description

BA414DF, BA444DF, BA418CF and BA448CF are field and panel mounting, intrinsically safe, single and eight variable fieldbus indicators. Suffix -F denotes FOUNDATION™ fieldbus and suffix -P PROFIBUS PA protocol.

Manufactured by

BEKA associates Ltd, Old Charlton Road, Hitchin, Herts. UK. SG5 2DA

Council Directives this equipment complies with: 2014/34/EU (ATEX Directive)

Relating to equipment and protective systems intended for use in potentially explosive atmospheres.

Provisions of the Directive fulfilled by the equipment:

Ex BA414DF & BA444DF
ITS06ATEX25313X issue 2 dated 29/10/2015
Group II Category 1G
Ex ia IIC T4 Ga -40°C ≤ ta ≤ +70°C.

FISCO Field Device
Ex ia IIC T4 Ta -40°C to +70°C.

Group II Category 3G
Ex ic IIC T4 Gc Ta -40°C to +70°C.

Group II Category 2D
Ex ia IIIC T100°C Db -20°C ≤ ta ≤ +60°C.

Group II Category 3D
Ex ic IIIC T100°C Dc Ta -20°C to +60°C.

BA418CF & BA448CF
ITS06ATEX25314X issue 2 dated 29/10/2015
Group II Category 1G
Ex ia IIC T4 Ga -40°C ≤ ta ≤ +70°C.

FISCO Field Device
Ex ia IIC T4 Ta -40°C to +70°C.

Group II Category 3G
Ex ic IIC T4 Gc Ta -40°C to +70°C.

Notified Body for EU-Type examination and production

INTERTEK ITALIA SPA 2575
Via Guido Miglioli, 2/A 20063
Cernusco sul Naviglio (MI) Italy

Compliant with standards:

EN IEC 60079-0:2018; EN 60079-11:2012

2014/30/EU (EMC Directive)

2011/65/EU (RoHS Directive) relating to hazardous substances in electronic and electrical equipment.

2015/863/EU additional substances added by amending Annex II to Directive 2011/65/EU as regards the list of restricted substances.

CE mark first affixed in 2006

Authorised Signatory: Issue 1 20th Nov 2023

Olivier Lebreton CEng MIET
Managing Director