

**'G' instrument scale card insertion instructions
(Blue label for intrinsically safe instruments)**

Each 'G' indicator scale card consists of:

Quantity	Description	Notes
1	'G' instrument scale card. If specified when ordered this will be printed with requested units of measurement and application or tag information.	Blue labels are for intrinsically safe Instruments and grey labels for Ex n and general purpose instruments.
1	Scale card insertion guide.	

Issue 1
24th February 2016

To remove the existing scale card from a 'G' instrument carefully pull the transparent tab at the rear of the instrument assembly away from the instrument as shown in Fig 1.

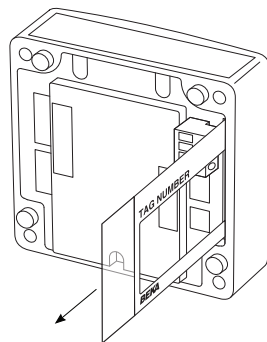


Fig 1 Removing the existing scale card

To fit a replacement scale card place the transparent scale card insertion guide over the scale card, slide under the locating tab and carefully insert both into the slot on the right hand side of the input terminals as shown in Fig 2.

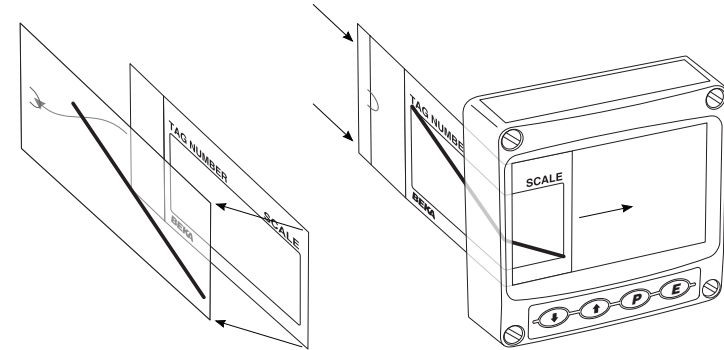


Fig 2 Insert the scale card and scale card guide into the instrument assembly

Force should be applied evenly to both sides of the scale card to prevent it from twisting. The card should be inserted until about 2mm of the transparent tab remains protruding.

Finally disengage the insertion guide from the locating tab and remove it by gently pulling.

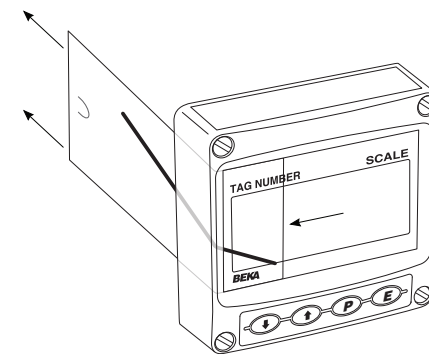


Fig 3 Remove the scale card card guide from the instrument assembly

BEKA associates Ltd.

Old Charlton Road, Hitchin, Hertfordshire, SG5 2DA UK. Tel: (01462) 438301
Fax: (01462) 453971 e-mail: sales@beka.co.uk website: www.beka.co.uk