

Assembly instructions for BR391 Stainless Steel Pipe Mounting Kit

The BR391 pipe mounting kit enables BEKA BR323AL and BR323SS flameproof loop powered indicators to be mounted onto a pipe with an outside diameter between 1.5 and 2.3 inches (40 and 60mm).

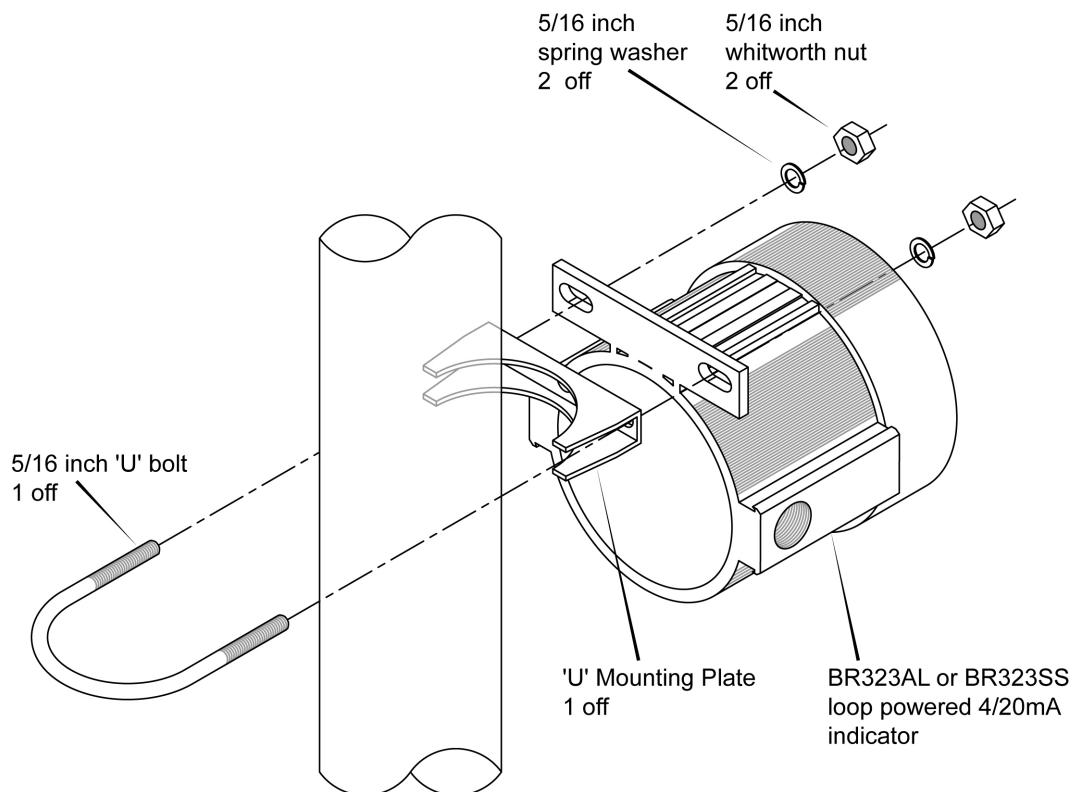
Each pipe mounting kit consists of the following components:

Quantity	Description
1	'U' Mounting Plate
1	5/16 inch 'U' bolt
2	5/16 inch whitworth nut
2	5/15 inch spring washer

Assembly procedure

Place the 'U' Mounting Plate and the 'U' Bolt around the supporting pipe and secure the instrument to the 'U' Bolt with the two nuts as shown below. Tighten both nuts until the washers are compressed and the instrument is securely attached to the pipe.

After installation, if an explosive gas atmosphere is NOT present, the flameproof enclosure cover may be removed allowing the indicator assembly to be rotated to the required position.



BEKA associates Ltd, Old Charlton Road, Hitchin, England SG5 2DA www.beka.co.uk
Tel: +44 (0) 1462 438301 Fax: +44 (0) 1462 453971 e-mail: sales@beka.co.uk