

## Description and contents of kit

The BA495 rear cover and sealing kit provides rear of panel impact and IP66 ingress protection for a BEKA 96 x 48mm panel mounting or a 105 x 60mm rugged stainless steel panel mounting instrument. It is primarily intended for use with BEKA 'E', 'E-SS', 'NE' and Advisor instruments.

The rear cover has two M20 cable entries, one is fitted with an M20 stopping plug. The other entry should be fitted on-site with an appropriately sized IP66 M20 cable gland to preserve the ingress protection of the cover.

The BA495 cover and all fixings are 316 stainless steel sealed with a silicone gasket which are suitable for use between -40°C and + 70°C.

Quantity	Description	BEKA part number
1	Rear cover case	013-122
1	Rear cover gasket	069-035
6	M4 x 20 Screws	065-067
6	M4 Full nuts	066-018
6	M4 Spring washer	067-018
6	M4 Flat washer	067-026
2	M4 Half nut	066-019
2	M4 Internal star washer	067-027

## Assembly procedure

The BA495 may be secured to the instrument panel with the six supplied M4 x 20 screws or with six M4 welded studs which should be positioned as shown in Fig 2. The following procedure is for securing with the supplied screws.

1. Provide six M4 clearance holes symmetrically around the instrument panel aperture as shown in Fig 1. Ensure that the edges of the instrument panel aperture and the fixing holes are de-burred.
2. Mount the instrument in the instrument panel following the instructions supplied with the instrument.
3. Fit the required cable gland into the M20 hole in the rear cover. If two entries are required, remove the stopping plug and fit a second cable gland.
4. Pass the instrument cable through the cable gland and the sealing gasket. Connect the cable to the terminals on the rear of the instrument which are removable by gently pulling.
5. Carefully slide the gasket and cover over the instrument and secure with six M4 screws, washers and nuts as shown in Fig 1. Two M4 half nuts and two star washers are provided to secure an earth cable to one of the studs.
6. Finally, tighten the cable gland to ensure that the cable entry is sealed.

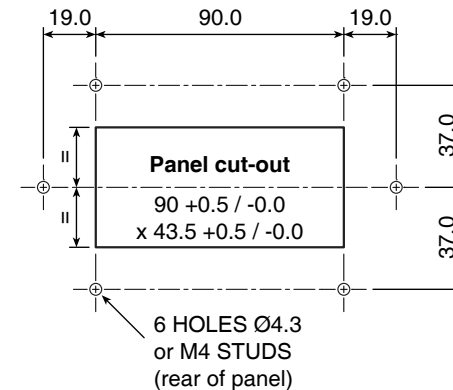
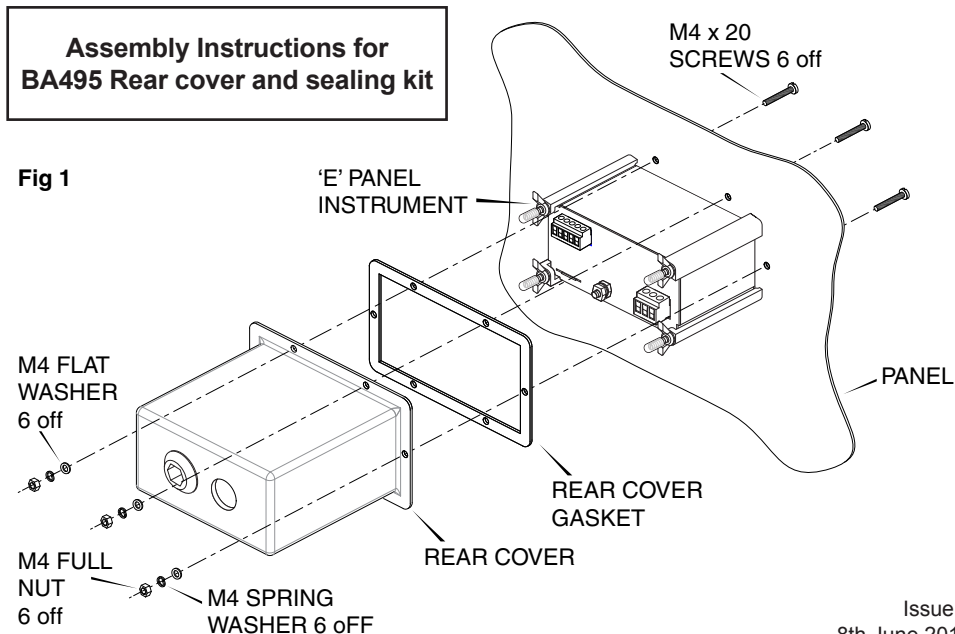
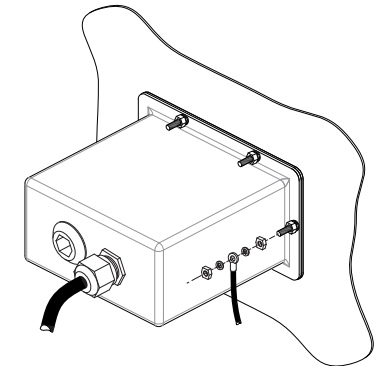


Fig 2



Issue 1  
8th June 2017

## BEKA associates Ltd.

Old Charlton Road, Hitchin, Hertfordshire, SG5 2DA UK. Tel: (01462) 438301  
Fax: (01462) 453971 e-mail: [sales@beka.co.uk](mailto:sales@beka.co.uk) website: [www.beka.co.uk](http://www.beka.co.uk)