

## 1. Description

The BA394G panel mounting kit enables a BEKA 'G' GRP or Stainless Steel field instrument to be mounted onto a panel.

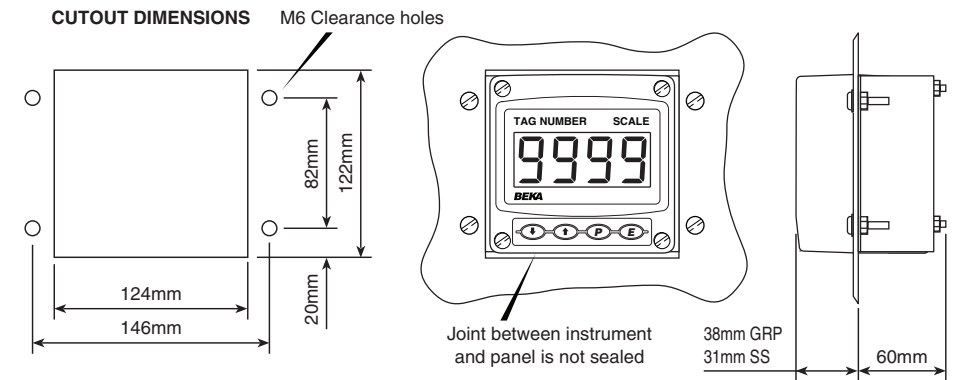
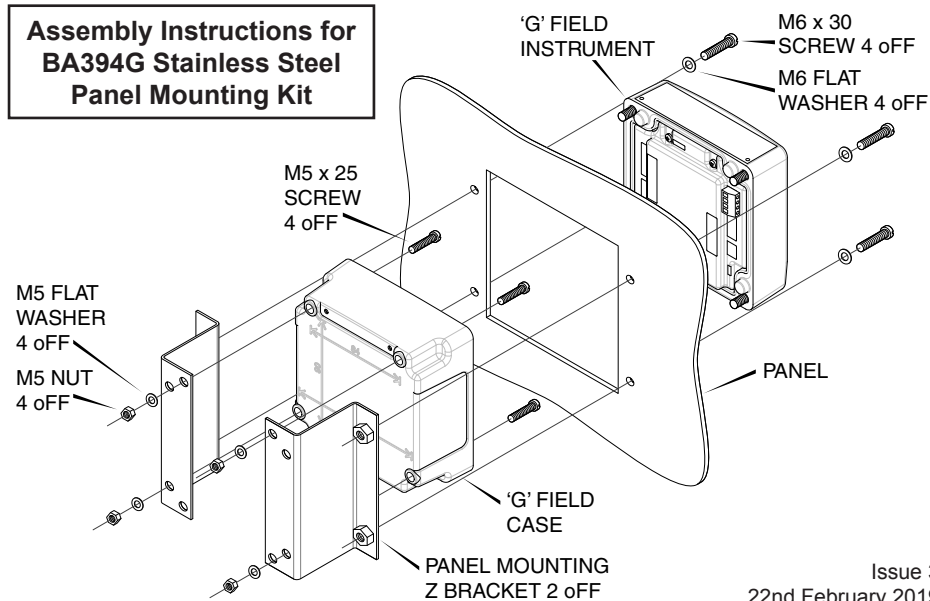
## 2. Contents

Each panel mounting kit consists of the following components all manufactured from 316 stainless steel:

Quantity	Description	BEKA part number
2	Pipe mounting Z brackets	013-116
4	M6 x 30 screws	065-066
4	M6 flat washers	067-029
4	M5 x 25 screws	065-076
4	M5 nuts	066-021
4	M5 flat washers	067-028
1	Plastic bag A4	090-012
1	Plastic Bag	090-017

## 3. Installation procedure

1. Remove the 'G' instrument assembly from the enclosure back-box by undoing the four front corner screws. Secure the two Z brackets to the 'G' enclosure back-box with the four M5 screws, M5 flat washers and M5 nuts.
2. Refit the 'G' instrument assembly into the back-box and tighten the four corner screws.
3. Insert the assembly through the rear of the panel aperture and secure to the panel with the four M6 screws and M6 flat washers.



Issue 3  
22nd February 2019

### BEKA associates Ltd.

Old Charlton Road, Hitchin, Hertfordshire, SG5 2DA UK. Tel: (01462) 438301  
Fax: (01462) 453971 e-mail: [sales@beka.co.uk](mailto:sales@beka.co.uk) website: [www.beka.co.uk](http://www.beka.co.uk)