

Assembly Instructions for BA393G 316 Stainless Steel Pipe Mounting Kit

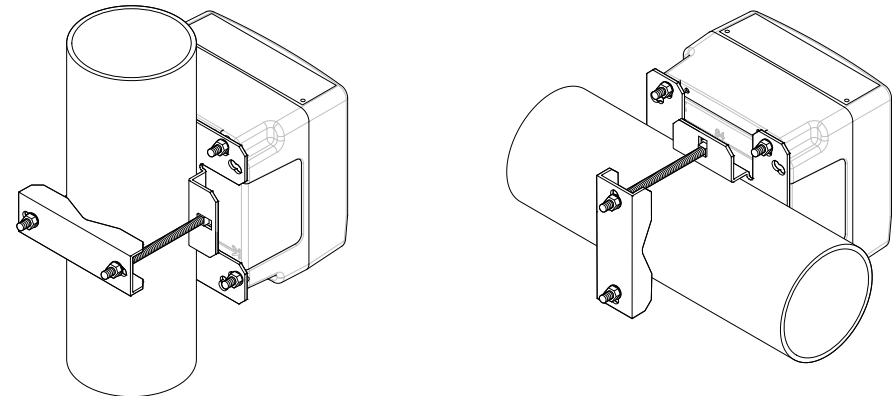
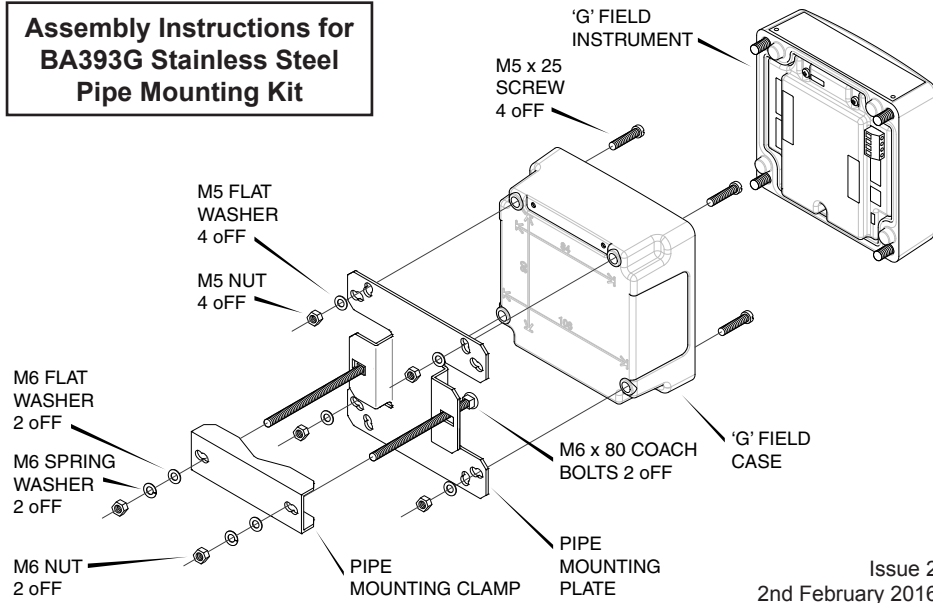
The BA393G pipe mounting kit enables a BEKA 'G' field instrument to be mounted onto a vertical or horizontal pipe with an outside diameter between 40 and 73mm.

Each pipe mounting kit consists of the following components all manufactured from 316 stainless steel:

Quantity	Description	BEKA part number
1	Pipe mounting plate	013-110
1	Pipe mounting clamp	013-115
4	M5 x 25 screws	065-076
4	M5 nuts	066-021
4	M5 flat washers	067-028
2	M6 x 80 coach bolts	065-075
2	M6 nuts	066-022
2	M6 flat washers	067-029
2	M6 spring washers	067-021

Assembly procedure

1. Insert the 2 coach bolts through the slots on the pipe mounting plate.
2. Fix the instrument to the mounting plate using the four M5 screws, M5 flat washers and M5 nuts.
3. Present the instrument assembly to the vertical or horizontal pipe and pass the two coach bolts through the holes in the mounting clamp.
4. Secure in place with the two M6 flat washers, M6 spring washers and M6 nuts.



BEKA associates Ltd.

Old Charlton Road, Hitchin, Hertfordshire, SG5 2DA UK. Tel: (01462) 438301
 Fax: (01462) 453971 e-mail: sales@beka.co.uk website: www.beka.co.uk