

# Assembly instructions for BA393 Heavy Duty Stainless Steel Pipe Mounting Kit

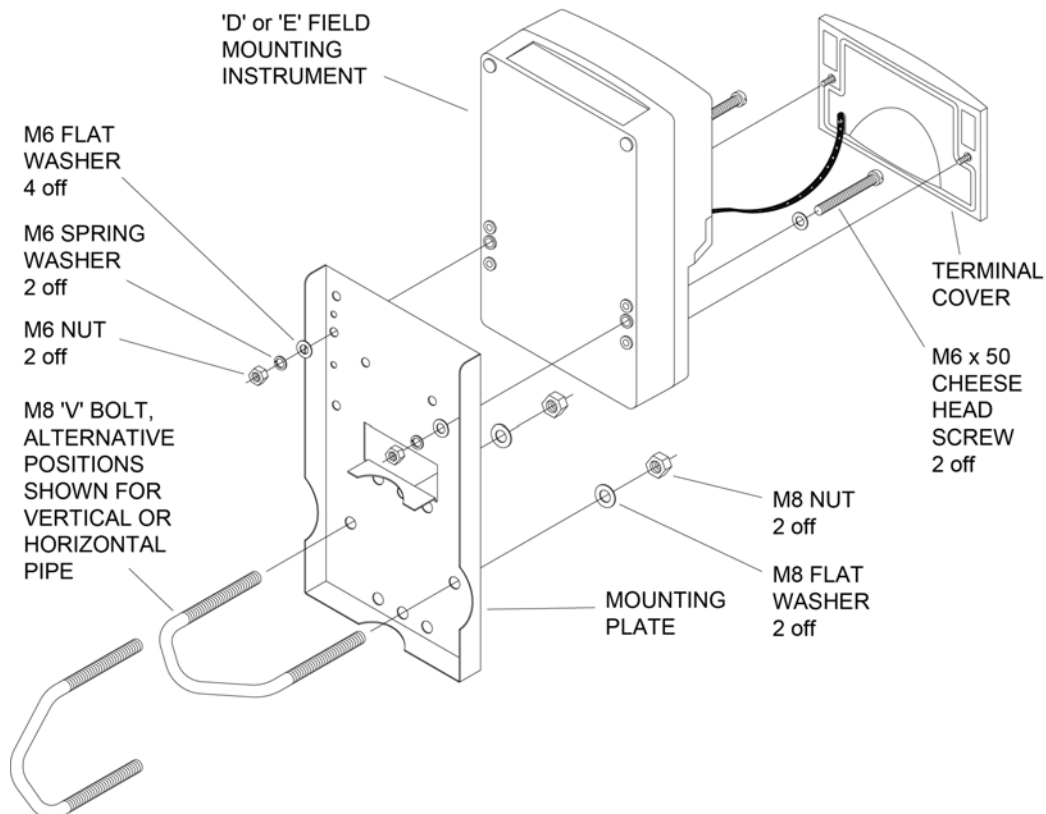
The BA393 pipe mounting kit enables BEKA 'D' or 'E' field instruments or flameproof 'BEx' series Sounders & Beacons to be mounted onto a vertical or horizontal pipe with an outside diameter between 40 and 80mm.

Each pipe mounting kit consists of the following components all manufactured from 316 stainless steel:

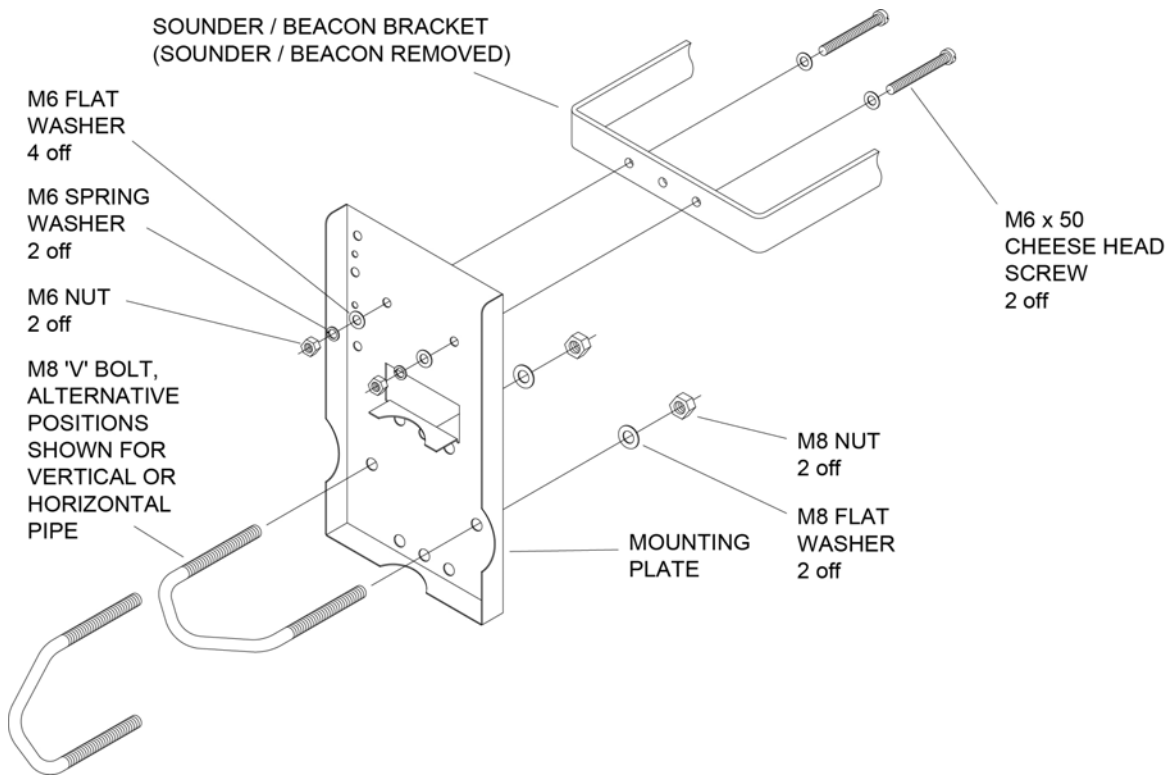
Quantity	Description	BEKA part number
1	Mounting plate	013-012
1	M8 'V' bolt	065-021
2	M8 nut	066-011
2	M8 flat washer	067-014
2	M6 x 50 cheese head screw	065-065
4	M6 flat washer	067-029
2	M6 spring washer	067-021
2	M6 nut	066-022

**Assembly procedure** – see figures below and on reverse side

1. Clamp the mounting plate to a vertical or horizontal pipe using the 'V' bolt
2. Fix the instrument to the mounting plate using two M6 screws for a 'D' and 'E' instrument as shown in Fig 1, or two M6 screws for a 'BEx' Sounder or Beacon as shown in Fig 2.



**Fig 1 Assembly of a 'D' or 'E' instrument**



**Fig 2 Assembly of a flame proof 'BEx' Sounder or Beacon**