

Assembly Instructions for BA392C Stainless Steel Pipe Mounting Kit

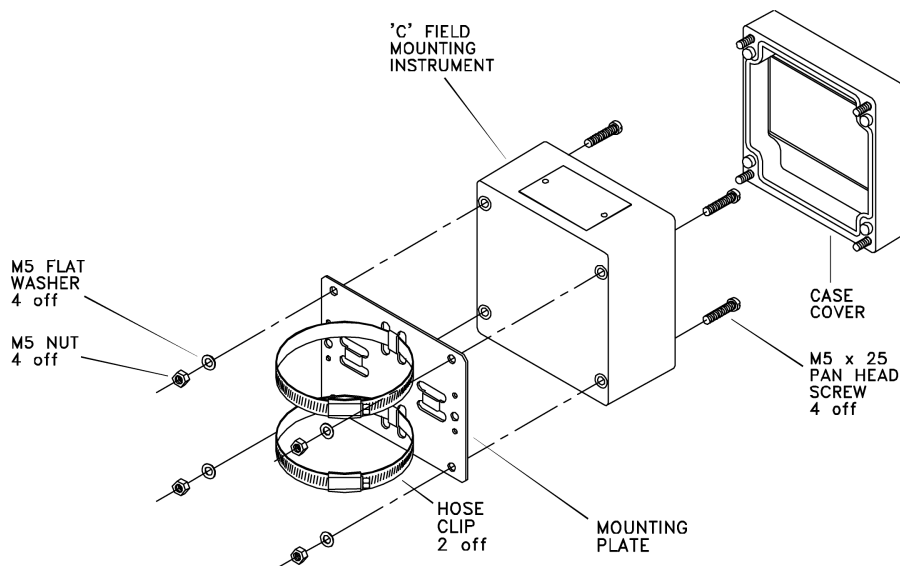
The BA392C pipe mounting kit enables a BEKA 'C' field instrument to be mounted onto a vertical or horizontal pipe with an outside diameter between 60 and 80mm.

Each pipe mounting kit consists of the following components:

Quantity	Description	BEKA part number
1	Mounting plate	013-054
2	Hose clip	070-008
4	M5 x 25 pan head screw	065-020
4	M5 flat washer	067-009
4	M5 nut	066-007

Assembly procedure

1. Completely unscrew both hose clips and thread them through the vertical or horizontal slots in the mounting plate.
2. Pass the Hose clips around the pipe to which the instrument is to be mounted, re-engage both clips and tighten after turning the mounting plate into the required position.
3. Fix the instrument to the mounting plate using the four M5 screws.



BEKA associates Ltd Old Charlton Road, Hitchin, England SG5 2DA
Tel: +44 (0) 1462 438301 Fax: +44 (0) 1462 453971 e-mail: sales@beka.co.uk

Man 392C issue 5 June 2003