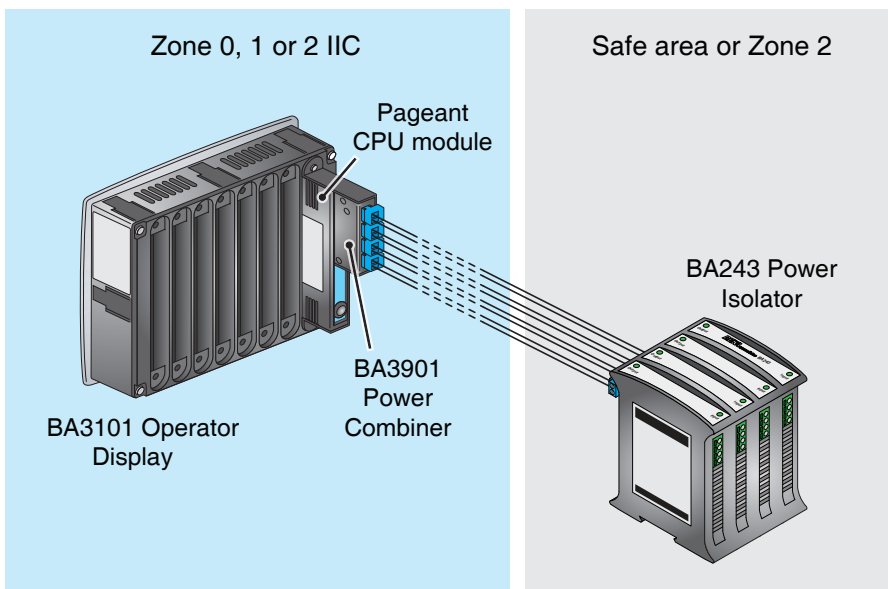
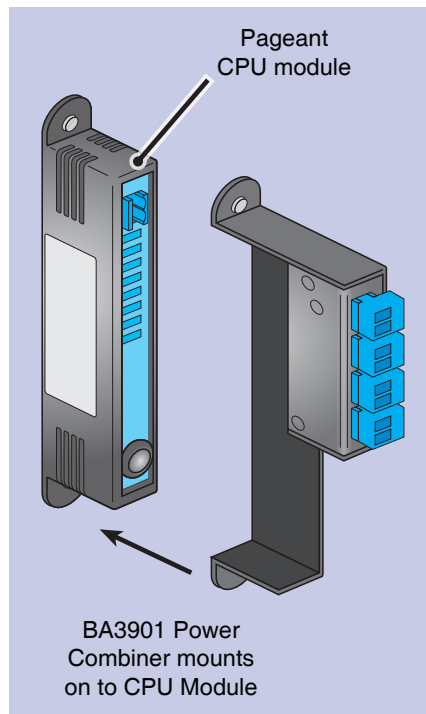


The **BEKA BA243 Power Isolator** has four separate galvanically isolated intrinsically safe outputs. It has been specifically designed to power a Pageant BA3101 Operator Panel fitted with a BA3901 Power Combiner located in a IIC hydrogen atmosphere.

Four separate twisted pair instrument field cables up to 177m long may be safely used between a fully loaded Pageant Operator Panel fitted with a BA3901 Power Combiner and a BA243 Power Isolator located in a safe area or in Zone 2. If the Operator panel is only 20% loaded, the maximum permissible cable length increases to 365m. See BEKA Application Guide AG210 for further information.

The **BA3901 Pageant Power Combiner** is a certified accessory which remotely combines the output of up to four separate intrinsically safe power supplies. For applications in IIC hydrogen atmospheres, this allows longer field wiring to be used between a BEKA Power Isolator and a BA3101 Operator Display. The BA3901 Power Combiner has four pairs of input terminals and mounts on to the rear of any plug-in Pageant CPU module which distributes power within the BA3101 Operator Panel.



BA3901 Pageant Power Combiner

Remotely combines the output of four Power Isolator channels

- ◆ Remotely combines four intrinsically safe power supplies allowing longer cables to be safely used between a BA243 Power Isolator and a Pageant Operator Display in a IIC atmosphere.
- ◆ Module mounts on to a Pageant BA3201 or BA3202 CPU module.
- ◆ IECEx, ATEX & UKEX Ex ia certification.
- ◆ 3 year guarantee

www.beka.co.uk/ba3901



BEKA associates

BEKA associates Ltd. Old Charlton Rd.
Hitchin, Hertfordshire, SG5 2DA, U.K.
Tel. (01462) 438301 e-mail sales@beka.co.uk
website: www.beka.co.uk

SPECIFICATION

Intrinsic safety

International IECEx

Code Ex ia IIC T4 Ga
 $-40^{\circ}\text{C} \leq T_a \leq +65^{\circ}\text{C}$

Input safety parameters for each input

U_i 12.4V dc
 I_i 0.67A
 P_i 1.36W
 L_i 0
 C_i 0

Cert. No. [IECEX CML 20.0151X](#)

Europe ATEX and UKEX

Code Group II Category 1G
 Ex ia IIC T4 Ga
 $-40^{\circ}\text{C} \leq T_a \leq +65^{\circ}\text{C}$

Safety parameters as IECEx certificate

Cert. Nos. [CML 20ATEX2253X](#)
[CML 21UKEX2004X](#)

Environmental

Operating temp -40 to +65°C
 Storage temp -40 to +85°C

Enclosure IP20

Humidity To 95% at 40°C non-condensing

EMC Complies with UK & European EMC Directives.

Mechanical

Terminals

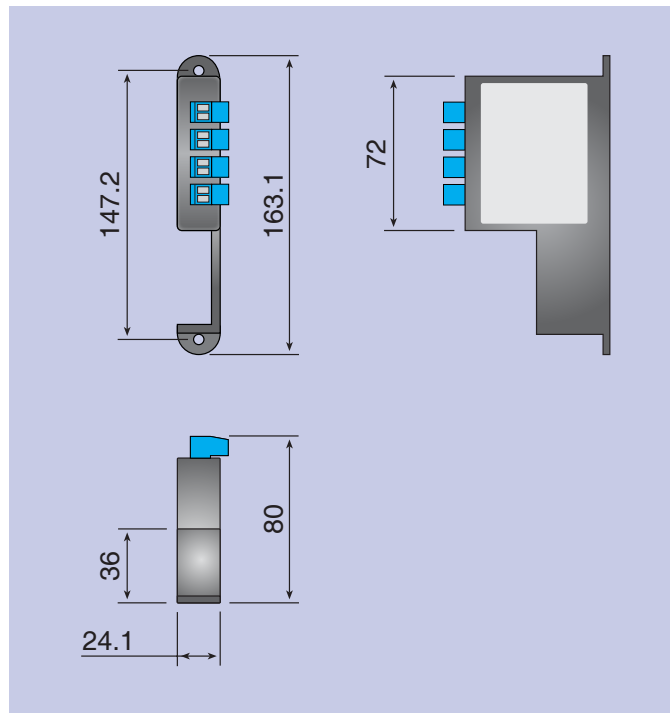
Each Input Removable blue terminal blocks with screw clamps for 0.5 to 1.5mm² wires.

Output Mates with Pageant CPU input power terminals.

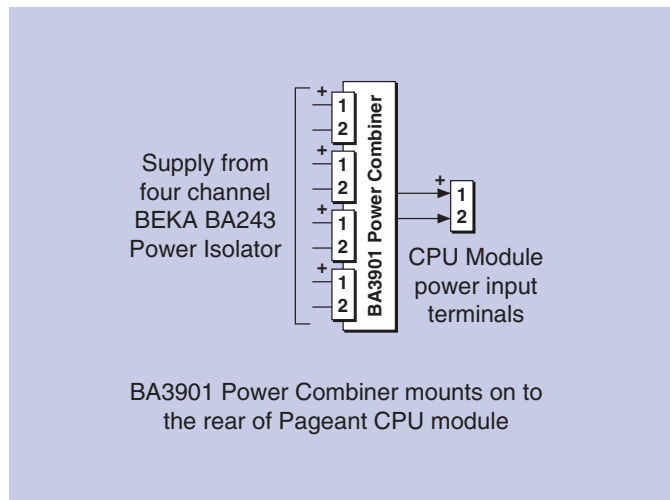
Weight 0.1kg

Reliability is ensured by component conformal coating, protection from incorrect connection and radio frequency interference. The module has been subjected to extensive vibration and thermal testing and is supported by a three year guarantee.

DIMENSIONS (mm)



TERMINAL CONNECTIONS



HOW TO ORDER

Please specify

Model number BA3901

Accessories

Please specify if required