

Beskrivelse

Felt- og panelmontering egensikker, 4/20 mA 2-wire digitale indikatorer, som viser indgangsstrømmen i industrielle enheder.

| Model | Montering | Cifre | Kapslingsmateriale | Paneludskæring mm |
|-----------|------------------------------|-------------------------------|--------------------|---------------------------|
| BA304G | Feltmontering | 4 x 34mm høj | GRP | N/A |
| BA304G-SS | | | 316 SS | |
| BA324G | | 5 x 29mm høj + søjlediagram | GRP | |
| BA324G-SS | | | 316 SS | |
| BA307E | Panelmontering 96 x 48mm | 4 x 15mm høj | Noryl | 90.0 |
| BA327E | | 5 x 12.7mm høj + søjlediagram | | +0.5/-0 x 43.5 +0.5/-0 |
| BA308E | Panelmontering 144 x 72mm | 4 x 34mm høj | Noryl | 136 |
| BA328E | | 5 x 29mm høj + søjlediagram | | +0.5/-0 x 66.2 +0.5/-0 |
| BA307E-SS | Panelmontering 105 x 60mm | 4 x 15mm høj | 316 SS | 90.0 |
| BA327E-SS | | 5 x 12.7mm høj + søjlediagram | | +0.5/-0 x 43.5 +0.5/-0 |

Egensikker IECEx-, ATEX- og UKCA gas- og støvcertificering. Andre godkendelser, såsom cFM og cETL, er tilgængelige. Se venligst komplette brugermanualer mht. detaljer.

Kode:

| | | |
|--------|--------------------------|----------------|
| II 1 G | Ex ia IIC T5 Ga | |
| II 2 D | Ex ia IIIC T80°C Db IP66 | Feltmontering |
| | Ex ia IIIC T80°C Db IP20 | Panelmontering |
| | -40°C ≤ Ta ≤ +70°C | |

Parametre:

| Kredsløb | Input parametre | | | Output parametre |
|--|-----------------|-------|-------|--------------------------------------|
| | Ui | Ii | Pi | |
| 4/20 mA input med eller uden strømsløjfe forsynet baggrundslys | | | | Overholder krav til simple apperater |
| Valgfrie alarmer | 30V | 200mA | 0.84W | |
| Valgfrit baggrundslys, Separat strømforsynet | | | | |

Særlige betingelser for sikker brug - se certifikater

| | |
|--------------------------------------|---|
| BA304G BA324G | Ved installation i Zone 0 skal installationen udføres således at en antændelse på grund af berring mellem aluminium dele og jern/stål udelukkes. |
| BA307E BA308E BA327E BA328E | I elektrisk ledende støvmiljøer i Gruppe IIIC, skal anvendes tilslutningsterminaler der har mindst IP6X-beskyttelse. For at undgå elektrisk udladning må enhedsindkapslinger kun rengøres med en fugtig klud. |
| BA307E-SS BA327E-SS | I elektrisk ledende støvmiljøer i Gruppe IIIC, skal anvendes tilslutningsterminaler der har mindst IP6X-beskyttelse. En indikator, der er installeret i en indkapsling af typen Ex ta, tb px, py, pz eller e, vil ikke ugyldiggøre certificeringen, men indikatoren skal strømforsynes fra en korrekt normeret Zener-barriere eller en galvaniseret isolator. |

Reparation

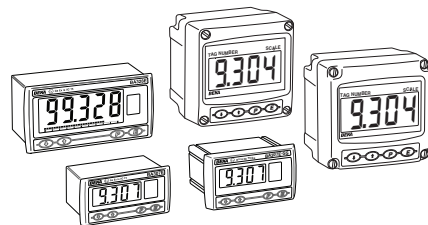
Der må ikke foretages reparation på en defekt indikator. Den skal returneres til et BEKA eller til din lokale forhandler.

Bortskaffelse

Indikatorer skal bortskaffes korrekt, ikke som husholdningsaffald.

Vigtige sundheds- & sikkerhedskrav til strømsløjfe forsynede 4/20 mA-indikatorer
BA304G, BA304G-SS, BA324G, BA324G-SS, BA307E, BA307E-SS, BA327E, BA327E-SS, BA308E & BA328E

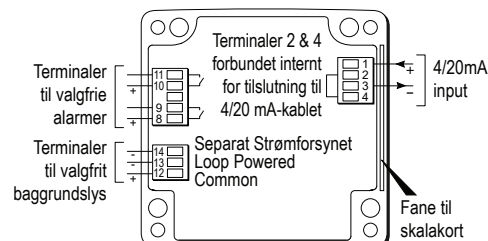
DK



Issue 1
28th February 2023

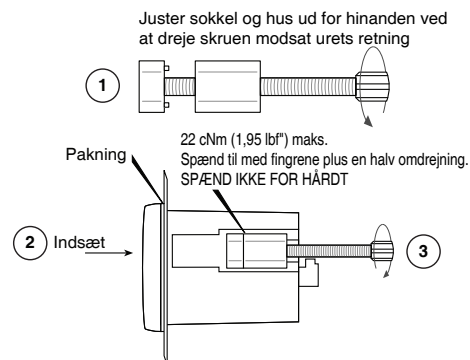
BEKA associates Ltd. Old Charlton Rd, Hitchin, Hertfordshire, SG5 2DA, UK Tel: +44(0)1462 438301 e-mail: sales@beka.co.uk
 web: www.beka.co.uk

Installation & tilslutninger: Modeller for feltmontering BA304G, BA304G-SS, BA324G, BA324G-SS

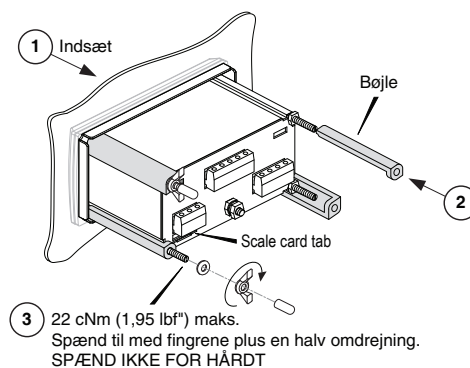


Instrumenthuset har fire M6 frigangshuller til overflademontage, og to gevindskårne huller M20 x 1,5 til kabelforskrutninger.

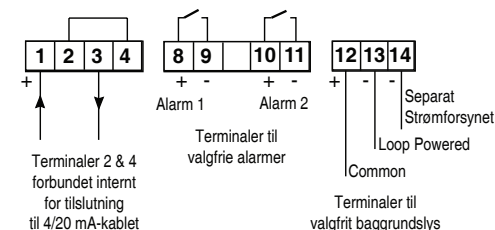
Installation: Modeller for panelmontering BA307E, BA327E, BA308E & BA328E



Installation: Modeller for panelmontering BA307E-SS & BA327E-SS



Installation: Modeller for panelmontering BA307E, BA327E, BA308E, BA328E, BA307E-SS and BA327E-SS



Kombineret EU Overensstemmelseserklæring

Description of Electrical Apparatus

BA304G, BA304G-SS 4 digit; BA324G, BA324G-SS 5 digit field mounting (Intrinsically safe 4/20mA loop powered indicators)

BA307E, BA307E-SS, BA308E 4 digit; BA327E, BA327E-SS, BA328E 5 digit panel mounting (-SS models have a stainless steel enclosure)

Manufactured by

BEKA associates Ltd, Old Charlton Road, Hitchin, Herts. UK. SG5 2DA

Council Directives this equipment complies with: 2014/34/EU (ATEX Directive)

Relating to equipment and protective systems intended for use in potentially explosive atmospheres.

Provisions of the Directive fulfilled by the equipment:

Ex II Group II Category 1G Ex ia IIC T5 Ga Ta -40°C to +70°C
 Ex II Group II Category 2D Ex ia IIIC T80°C Db (IP66 field IP20 panel) Ta -40°C to +70°C

Notified Body for EU-Type Examination and production

INTERTEK ITALIA SPA 2575 Via Guido Miglioli, 2/A 20063 Cernusco sul Naviglio (MI) Italy.

EU-Type Examination Certificates

ITS11ATEX27253X Issue 2 12th August 2015.
 ITS11ATEX27254X Issue 4 16th October 2017.
 ITS14ATEX28077X issue 1 19th August 2014.

Standards used:

Compliant with EN IEC 60079-0:2018; EN 60079-11:2012 except in respect of those requirements referred to at item 16 of the Schedule.

2014/30/EU (EMC Directive)

Standards used:
 EN 61326-1:2013

2011/65/EU (RoHS Directive) relating to hazardous substances in electronic and electrical equipment.

2015/863/EU additional substances added by amending Annex II to Directive 2011/65/EU as regards the list of restricted substances.

CE mark first affixed in 2011

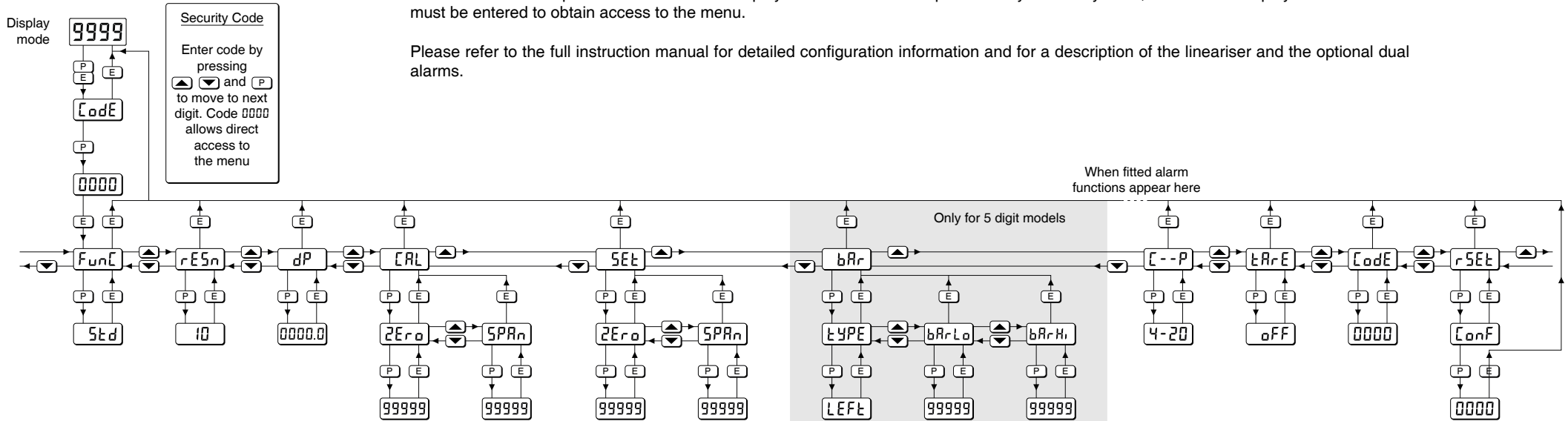
Authorised Signatory: Issue 1 19th October 2022

Olivier Lebreton
 Olivier Lebreton CEng MIET
 Managing Director

CONFIGURATION

Access to the configuration menu is obtained by pressing the **[P]** and **[E]** buttons simultaneously. If the indicator security code is set to the default 0000 the first parameter **Func** will be displayed. If the indicator is protected by a security code, **Code** will be displayed and the code must be entered to obtain access to the menu.

Please refer to the full instruction manual for detailed configuration information and for a description of the lineariser and the optional dual alarms.



Function
 ▲ or ▼ to select
 Std for standard function.
 root for root extractor.
 Lin for lineariser

Resolution
 ▲ or ▼ to select resolution of least significant digit

Decimal point
 ▲ or ▼ to select position of dummy decimal point

Calibration using external current source (Preferred method)
 With accurate 4mA input current set required zero display by pressing ▲ or ▼ and [P] to move to the next digit
 Similarly, using accurate 20mA input current set required full scale display
 Any current between 4 and 20mA may be used providing difference is > 4mA

Calibration using internal references (Input current may be any value)
 Using ZEro function set required display at 4mA by pressing ▲ or ▼ and [P] to move to the next digit
 Similarly, using SPAn function set required display at 20mA


Select type of bargraph display and define start and finish relative to digital display
 Using the tYPE function select required bargraph justification by pressing ▲ or ▼
 Using the bARLo function set the digital display at which the bargraph is required to start by pressing ▲ or ▼ and [P] to move to the next digit. Similarly using the bARHi function set digital display at which the bargraph is required to finish

Function of [P] button in display mode
 Press ▲ or ▼ to toggle between 4-20mA and % of span

Tare Function
 Press ▲ or ▼ to turn tArE on or oFF

Define Security Code
 Enter by pressing ▲ or ▼ and [P] to move to next digit

Reset indicator configuration
 Press ▲ or ▼ to select Conf to reset indicator or tArE to reset lineariser to default configuration.
 Confirm selection by entering SurE by pressing ▲ or ▼ and [P] to move to next digit



Manuals, certificates and data-sheets can be downloaded from <https://www.beka.co.uk/lpi01>