

SPECIFICATION

Power Supply

Model	12V dc	24V dc	48V dc	115V ac	230V ac
Voltage	10-14V dc	20-28V dc	42-54V dc	±10%	±10%
Current	750mA	300mA	180mA	140mA	55mA

Output

Energy	5 Joules
Colour	Xenon flash through clear or coloured lens.
Frequency	1Hz (Synchronised).

Certification Europe ATEX

Code	II 2 G Ex d IIC T5 Gb Ta. -50°C to +45° II 2 G Ex d IIC T4 Gb Ta. -50°C to +70°C II 2 D Ex tb IIIC T90°C Db Ta. -50°C to +40°C II 2 D Ex tb IIIC T105°C Db Ta. -50°C to +55°C II 2 D Ex tb IIIC T120°C Db Ta. -50°C to +70°C
------	--

Certificate no. KEMA 00ATEX2006X

Location	Zone 1 or 2
Gas	Zone 21 or 22
Dust	

End of line monitoring A resistor or diode (dc only) may be fitted inside the enclosure monitoring for line continuity. The resistor must have a minimum value of 3,300Ω and a minimum power rating of 0.5W, or 500Ω and a minimum power rating of 2W.

International IECEx

Code	II 2 G Ex d IIC T5 Gb Ta. -50°C to +45° II 2 G Ex d IIC T4 Gb Ta. -50°C to +70°C II 2 D Ex tb IIIC T90°C Db Ta. -50°C to +40°C II 2 D Ex tb IIIC T105°C Db Ta. -50°C to +55°C II 2 D Ex tb IIIC T120°C Db Ta. -50°C to +70°C
------	--

Certificate no. IECEx KEM 10.0002X

Environmental

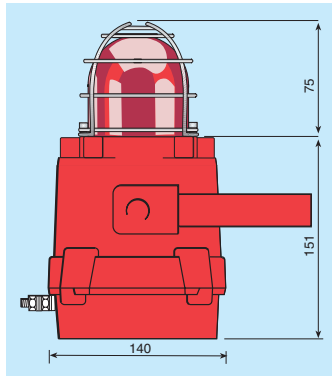
Operating temp	-50 to 70°C (See certificate)
Storage	-50 to 70°C
Humidity	To 95%
Enclosure	IP66/67 with two M20 tapped cable entries.
EMC	In accordance with EU Directive 2014/30/EU

Mechanical

Enclosure	
Body	Marine grade LM6 phosphated and powder coated, providing good resistance to high humidity and salt spray
Lens	Glass with external user replaceable UV stable polycarbonate coloured lens.
Glass guard & fittings	Stainless steel
Terminals	Screw clamp for 0.5 - 2.5mm ² cables
Cable entry	Two tapped M20
Weight	DC: 2.45kg AC: 2.75kg

Accessories

Pipe mounting kit.	BA393 stainless steel heavy duty using 'V' bolt for 40 - 80mm outside diameter vertical or horizontal pipe.
Tag plate	Tie-on engraved stainless steel plate, supplied loose.



HOW TO ORDER

	Please specify
Voltage	12V dc, 24V dc, 48V ac, 115V ac or 230V ac
Lens colour	Red; amber; yellow; green; blue or clear
SIL	Optional SIL2 version available (24V dc only)

Accessories

Pipe mounting kit	BA393
-------------------	-------

BExBG05D

Flashing beacon

Flameproof for use in gas & dust hazardous areas

- ◆ Flameproof ATEX & IECEx gas and dust certification.
- ◆ 5 joule output
- ◆ Rugged IP67 enclosure.
- ◆ Stainless steel lens guard.
- ◆ Auto synchronised flash.

www.beka.co.uk/bexbg05d

The BExBG05D is a bright flashing xenon beacon for use in hazardous areas. Housed in a robust IP67 enclosure it is suitable for exterior mounting and is available with coloured lenses to aid alarm identification.

Main application of the BExBG05D is to provide a visual warning in noisy areas where a sounder may not be heard, or to supplement a sounder warning. The beacon produces a regular bright flash once every second and will attract attention in most ambient lighting conditions.

ATEX and IECEx flameproof certification allows the beacon to be installed in Zones 1, 2, 21 & 22 and to be used with most industrial gases.

Higher output 10 and 15 joule beacons are also available.



BEKA

associates

BEKA associates Ltd. Old Charlton Rd.
Hitchin, Hertfordshire, SG5 2DA, U.K.
Tel. (01462) 438301 Fax (01462) 453971
e-mail sales@beka.co.uk www.beka.co.uk