

SPECIFICATION

Power Supply

Model	24Vdc	115Vac	230Vac
Voltage	18 to 28V dc	115V±10%	230V±10%
Current	270mA	140mA	55mA

Output

Energy	5 Joules
Colour	Xenon flash through clear or coloured lens.
Frequency	1Hz (Synchronised).

Certification flameproof

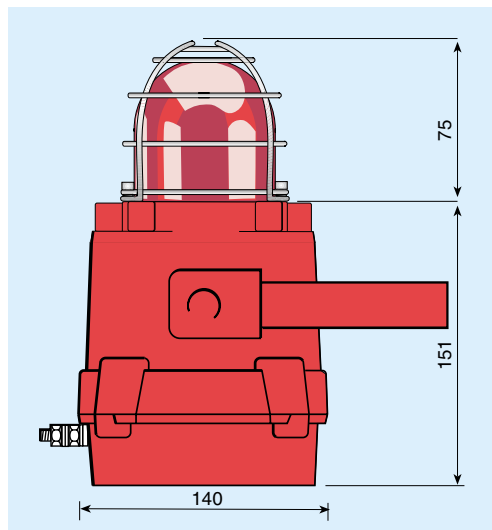
Standard	EN50 014 : 1992 and EN50 018:1994
Code	Group II Category 2GD EEx d IIC T5 T100°C (Tamb -50° to 55°C) Group II Category 2GD EEx d IIC T6 T85°C (Tamb -50° to 40°C)
Certificate No	KEMA 00 ATEX 2006 X
End of line monitoring for 24Vdc model.	A resistor or diode may be fitted inside the beacon enclosure for monitoring line continuity. The resistor must have a minimum value of 3,300 Ω and a minimum power rating of 0.5W, or a minimum value of 500 Ω and a minimum power rating of 2 W.

Environmental

Operating temp	-50 to +55°C
Storage	-50 to 70°C
Humidity	To 95% at 40°C
Enclosure	IP67 with two M20 tapped cable entries.
EMC	In accordance with EU Directive 89/336/EEC
Immunity	EN50082-2 : 1992
Emissions	EN50081-1 : 1992

Mechanical

Enclosure	
Body	Marine grade LM6
Lens	Glass
Glass guard & fittings	Stainless steel
Terminals	Screw clamp for two 4mm ² cables
Cable entry	Two tapped M20
Weight	2.5kg



Accessories

Pipe mounting kit	BA393 stainless steel heavy duty using 'V' bolt for 40 - 80mm outside diameter vertical or horizontal pipe.
Tag plate	Etched stainless steel plate fitted to beacon 'U' bracket.

HOW TO ORDER

Voltage	Please specify 24V dc; 115V ac or 230V ac
Lens colour	Red; amber; yellow; green; blue or clear

Accessories

Pipe mounting kit	BA393
Tag plate	Legend required

BExBG05D

Flashing beacon

Flameproof for use in gas & dust hazardous areas

- ◆ **Flameproof ATEX gas and dust**
- ◆ **5 joule output**
- ◆ **Rugged IP67 enclosure**
- ◆ **Stainless steel lens guard**
- ◆ **Auto synchronised flash**

The **BExBG05D** is a bright flashing xenon beacon for use in hazardous areas. Housed in a robust IP67 enclosure it is suitable for exterior mounting and may be fitted with coloured lenses to aid alarm identification.

Main application of the BExBG05D is to provide a visual warning in noisy areas where a sounder may not be heard, or to supplement a sounder warning. The beacon produces a regular bright flash once every second and will attract attention in most ambient lighting conditions.

ATEX flameproof certification allows the beacon to be installed in Zones 1, 2, 21 & 22 and to be used with most industrial gases.

Higher output 10 and 15 joule beacons are also available.



BEKA associates

BEKA associates Ltd. Old Charlton Rd.
Hitchin, Hertfordshire, SG5 2DA, U.K.
Tel. (01462) 438301 Fax (01462) 453971
e-mail sales@beka.co.uk www.beka.co.uk