

The **BA574G** is a two input, general purpose field mounting instrument that can be configured as a Timer or as a Clock. As a Timer it is able to measure the elapsed time between external events, or control external events via the status and optional control outputs. When configured as a Clock the instrument can display time in a variety of formats. The BA574G is controlled by two inputs which may be independently configured on-site to operate with a magnetic pick-off, switch contact, proximity detector or a voltage output sensor.

Configuration may be performed on-site via the front panel push buttons using the easy to use and well documented menus. The Timer employs a state and event structure to simplify configuration. The BA574G can be supplied configured to customers requirements including a customer defined printed scalecard for no additional charge.

Applications as a Timer include displaying the time interval between two events detected by one or two sensors. The Timer can also control an external event using the isolated open collector status output. If more than one circuit is to be controlled, dual isolated control outputs are available as a factory fitted option. The Timer is able to perform many common industrial timing applications, such as those associated with dosing or sampling requiring a valve to be regularly opened for a defined time. A powerful cycle function is included which can be configured to repeat the timing function up to 99 times or continuously, with up to 100 hours delay between timed periods.

When configured as a Clock the BA574G can display local time in various twelve or twenty four hour formats, and may be synchronised to a pre-set time via the external reset input. The isolated open collector status output can be configured to switch on and off twice at pre-set times during each twenty four hour period and may be used for repetitive timing functions. If more than one circuit is to be controlled, optional factory fitted isolated dual control outputs are available. Each output may be independently configured to switch on and off twice at pre-set times during each twenty four hour period.

The display has high contrast and a wide viewing angle, enabling the instrument to be read in most most lighting conditions over a wide temperature range.

Display backlighting which is internally powered from the timer or clock, is available as a factory fitted option. It provides green background illumination enhancing daylight viewing and allowing the display to be easily read at night or when installed in a poorly illuminated area.

IP66 protection is provided by the robust GRP enclosure which has stainless steel fittings, a silicone gasket and an 8mm thick armoured glass window. Ingress and impact protection have been independently assessed by Intertek.

Panel mounting timers or clocks with a variety of display and enclosure sizes are also available, see BA577E, BA577E-SS and BA578E. For applications in hazardous areas certified field and panel mounting timers or clocks are also available.

BA574G

two input timer or clock

General purpose

- ◆ Configurable input: magnetic pick-off, switch contact, proximity detector, open collector or voltage pulse.
- ◆ Separate primary and secondary displays.
- ◆ IP66 GRP enclosure
- ◆ Isolated pulse output
- ◆ Simple on-site scale card installation.
- ◆ Optional: Backlight
Dual control outputs
- ◆ 3 year guarantee

www.beka.co.uk/ba574g

BEKA

associates

BEKA associates Ltd. Old Charlton Rd.
Hitchin, Hertfordshire, SG5 2DA, U.K.
Tel. (01462) 438301 Fax (01462) 453971
e-mail sales@beka.co.uk www.beka.co.uk

SPECIFICATION

Power supply

Voltage	10 to 30V dc	
Current	16mA max plus 16mA for optional backlight	

Input

	Lower	Upper	switching thresholds
Switch contact	100Ω	1kΩ	
Proximity detector (NAMUR)	1.2mA	2.1mA	
Open collector	2kΩ	10kΩ	
Magnetic pick-off	0	+40mV	
Voltage pulse (low)	1V	3V	30V max
Voltage pulse (high)	3V	10V	30V max

Display

Type	Liquid crystal	
Primary	18mm high	
Secondary	12mm high	
Format	hh:mm:ss ; hh:mm ; mm:ss or s	

Timer reset or Clock sync Contact closure with resistance less than 10kΩ

Status output

Isolated, open collector	
Ron	51Ω + 3V max
Roff	1MΩ min
Vmax	30V dc
I max	10mA

Timer

Maximum duration 99h 59m and 59s or equivalent in any display format.

Maximum delay between cycles. 99h 59m and 59s or equivalent in any display format.

Grand total run-time 5 x 10⁶h maximum

Clock

Accuracy Less than ±0.43s error per day over operating temperature range.

Environmental

Operating temp	-40 to +70°C display -20 to +70°C
Storage temp	-40 to +85°C
Humidity	to 95% at 40°C non condensing
Vibration	Report available
Enclosure	
Material	GRP
Ingress	IP66
EMC	Complies with 2014/30/EU

Mechanical

Terminals	Screw clamp for 0.5 to 1.5mm ²
Weight	1.1kg

Accessories

Backlight Green LED internally powered

Control outputs Two outputs each of which may be independently configured as a NO or NC output.

Outputs Isolated single pole, voltage free solid state switch.
 Ron 5Ω + 0.7V max
 Roff 1MΩ min
 Vmax 30V dc
 I max 200mA

Scale card Blank card fitted to all instruments. Can be supplied printed with specified units of measurement and tag information for no additional charge at time of purchase. #

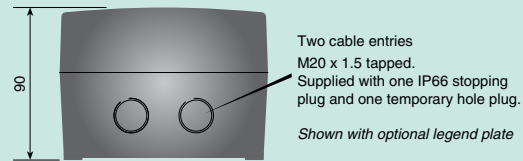
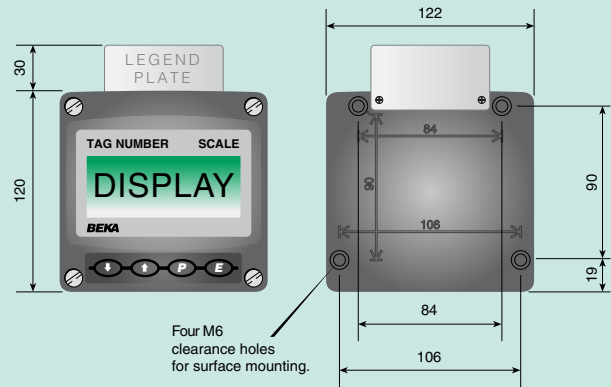
Legend plate 316 stainless steel plate laser engraved with tag number or application information attached to rear of the instrument, visible from the front. #

Pipe mounting kit BA393G 316 stainless steel #

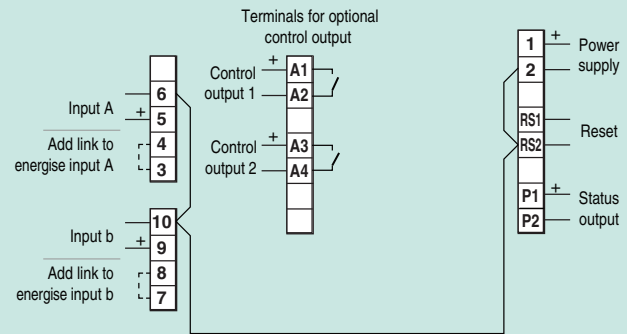
Panel mounting kits BA394G 316 stainless steel not sealing #
 BA494G GRP sealing #

See accessory datasheet for details

DIMENSIONS (mm)



TERMINAL CONNECTIONS



HOW TO ORDER

Model number
 Function
 Input

Accessories
 Display backlight
 Control outputs
 Scale card marking
 Units
 Tag

Stainless legend plate

Pipe mounting kit

Panel mounting kit

Please specify for each input

BA574G
 Timer or Clock
 Type *

Please specify if required

Backlight
 Control outputs

Legend required
 Legend required
 No charge if ordered with instrument

Legend required

BA393G

BA394G or BA494G

* BA574G can be supplied configured as required for no additional charge, see instruction manual, which can be downloaded from www.beka.co.uk/ba574g for details. If configuration information is not supplied, instrument will be configured as a Timer with open collector inputs. Can easily be reconfigured on-site.