

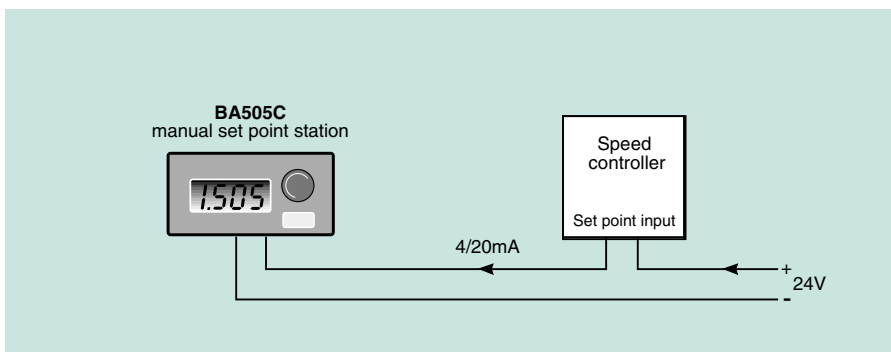
The **BA505C** is a panel mounting manual set point station that enables the current flowing in a 4/20mA loop to be manually adjusted from within a process area. The instrument is loop powered and contains a 3½ digit display which may be calibrated to show the 4/20mA current in engineering units.

Main application of the BA505C is the adjustment of plant parameters from within a process area. Speed controller set points such as a vessel mixer, actuator position or any parameter represented by a 4/20mA signal can be adjusted by the set point station. The BA505C incorporates a ten turn high resolution potentiometer fitted with a friction damper to minimise the risk of accidental adjustment. The magnitude of the variable being adjusted is shown on a 3½ digit display which may be calibrated in engineering units. An operator can therefore accurately set the process parameter to the required value without the need for any other instruments.

The **front panel** is a robust Noryl moulding sealed with a scratch resistant polyester membrane, and a captive neoprene gasket provides an IP65 seal between the enclosure and the panel. To simplify installation and maintenance, the BA505C has a removable rear terminal block which allows panel wiring to be completed before the set point station is installed. A blank scale card is fitted to all instruments, this can be typeset during manufacture, or marked on site to show the units of adjustment.

Reliability is ensured by an ISO9001 approved quality control system supported by a three year guarantee. Set point stations are protected from reverse connection and overrange input current, and incorporate radio frequency filtering to comply with the European EMC Directive.

For applications in flammable atmospheres the BA405C has been certified intrinsically safe and may be installed in most hazardous areas.



BA505C

2-wire 4/20mA manual set point station

General purpose

◆ Loop powered

◆ Optional backlight

◆ IP65 front

◆ 96 x 48mm DIN enclosure

◆ 3 Year guarantee

BEKA associates

BEKA associates Ltd. Old Charlton Rd.
Hitchin, Hertfordshire, SG5 2DA, U.K.
Tel. (01462) 438301 Fax (01462) 453971
e-mail sales@beka.co.uk www.beka.co.uk

SPECIFICATION

Output

Current Typ 3.5 to 21mA
Resistance Greater than 1M

Power Supply

Voltage 6.1 to 30V

Accuracy

Control resolution 0.05% of maximum output
Temperature effect Less than $2\mu A/^{\circ}C$

Display

Type $3\frac{1}{2}$ digit
Zero Adjustable between -1000 & 1000
Span Adjustable between 000 & 1999
Polarity Automatic minus sign
Decimal point 1 of 3 positions or absent selected by internal plug-in link.

Environmental

Operating temp -20 to $+60^{\circ}C$
Storage temp -40 to $+85^{\circ}C$
Humidity To 95% at $40^{\circ}C$ non-condensing

Enclosure

Front IP65
Rear IP20

EMC

In accordance with EU Directive 89/336/EEC, full report available.
Immunity Less than 1% of span error for 10V/m field strength between 27MHz & 1 GHz.

Emissions

Electromagnetically benign

Mechanical

Terminals Screw clamp for 0.5 to 1.5mm² cables in removable terminal block.

Weight 0.4kg

Accessories

Separately powered backlight LED backlight
Vin 14 to 30V dc, may be dimmed by reducing voltage below 14V.
Iin 40mA typical

Typeset scale card

Blank scale card fitted to each instrument can be supplied typeset with units of measurement.

Tag number

Thermally printed tag number on the rear of the instrument.

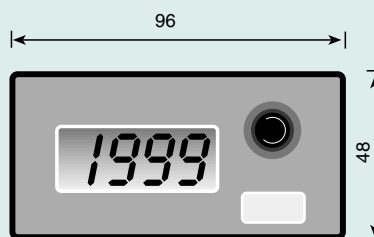
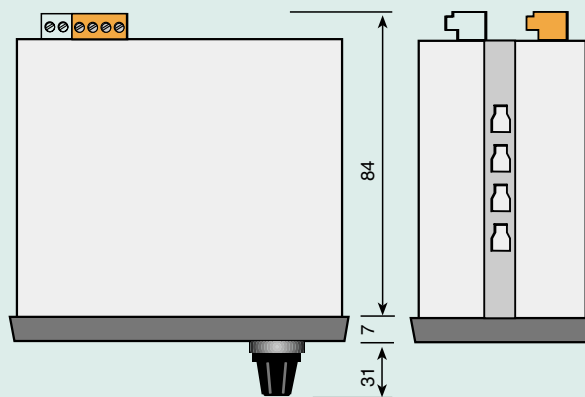
DIMENSIONS (mm)



Recommended panel cut-out

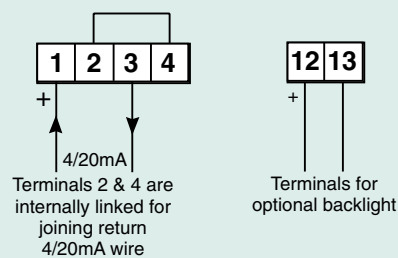
DIN 43 700
92.0 +0.8/-0.0 x 45 +0.6 -0.0

To achieve an IP65 seal between the instrument and the panel
90 +0.5/-0.0 x 43.5 +0.5/-0.0



Terminals for optional backlight are shown in outline

TERMINAL CONNECTIONS



Terminals 2 & 4 are internally linked for joining return 4/20mA wire

Terminals for optional backlight

HOW TO ORDER

Model number

Please specify

BA505C

Display at 4mA XXXX
Display at 20mA XXXX

Include position of decimal point and sign if negative

Accessories

Display backlight
Scale card
Tag strip

Please specify if required

Separately powered backlight
Legend
Legend