

The BA390 cluster lamps provide reliable cost-effective visual status indication in all hazardous areas. Each BA390 contains a group of high efficiency light emitting diodes mounted behind a coloured diffuser to produce a bright, uniform output with a typical life greater than ten years. All models contain a 20mA current regulator which maintains constant brilliance and provides protection against excess voltages.

ATEX intrinsic safety certification allows BA390 LED cluster lamps to be installed in all gas hazardous areas. Two lamps may be powered from a single IIC intrinsically safe Zener barrier or galvanic isolator and up to four lamps from a IIB device. FM certification allows BA390 lamps to be installed in the USA.

Five well defined colours - red, amber, green, blue and white comply with the indicator light colour requirements specified in IEC204-1, allowing all plant conditions to be annunciated.

IP66 sealing of the lens and the joint between the lamp and the panel makes the BA390 ideal for installations in areas that will be hosed, washed or splashed. When environmental protection behind the panel is also required, an optional rear sealing assembly is available.

Mounting is via a single industry standard 22.5mm diameter hole. The lamp housing, fixing nut and terminals have a maximum diameter of 30mm which permits a very high packing density on the panel.

To aid identification from the rear of the panel, the model number and suffix which identifies the colour are marked on the lamp body close to the terminals.

The lamp function can be shown on an optional legend plate secured between the lamp and the panel. Plates can be supplied blank or typeset with up to two rows of ten alphanumeric characters.

Reliability is ensured by an ISO9001 approved quality control system supported by a three year guarantee.

Low current Intrinsically safe cluster lamps for use with fieldbus multiple output modules or other low current sources are also available, please refer to the BA390S datasheet.

For safe area installations, please refer to the BA590 datasheet which describes a complementary range of non certified 24V dc and mains powered cluster lamps.

BA390

LED Cluster Lamp

Intrinsically safe for use in all gas hazardous areas

- ◆ Intrinsically safe ATEX & FM certification
- ◆ Red, amber, green, blue & white models
- ◆ 20mA constant current
- ◆ IP66 front
- ◆ Barrier or isolator will power two lamps
- ◆ 3 year guarantee



BEKA

associates

BEKA associates Ltd. Old Charlton Rd.
Hitchin, Hertfordshire, SG5 2DA, U.K.
Tel. (01462) 438301 Fax (01462) 453971
e-mail sales@beka.co.uk www.beka.co.uk

SPECIFICATION

Power supply

Voltage	
Operating	14 to 30V dc
Reverse	60V max
Current	18 to 22mA

Output

Lamp colour	Typical at 150mm
Red	190 lux
Amber	150 lux
Green	250 lux
Blue	150 lux
White	300 lux

Intrinsic Safety

Europe ATEX

Standard	EN50020:1994
Code	Group II Category 1G EEx ia IIC T4

Certificate numbers	BAS01ATEX1062X Ex93C2432 System IIC Ex93C2433 System IIB
---------------------	--

Installation	One or two BA390 lamps may be powered from any EEx ia IIC certified Zener barrier or galvanic isolator whose output safety parameters do not exceed:
--------------	--

U _o	30V dc
P _o	1.3W at 40°C
P _o	1.2W at 60°C
	(e.g. 28V, 300Ω or 28V, 234Ω Zener barrier or galvanic isolator)
	Gas groups IIA, IIB or IIC

Location	Zone 0, 1 or 2
----------	----------------

Up to four BA390 lamps may be powered from any certified EEx ia IIB Zener barrier or galvanic isolator whose output safety parameters do not exceed:

U _o	30V dc
P _o	1.3W at 40°C
	Gas groups IIA or IIB

Location	Zone 0, 1 or 2
----------	----------------

USA FM

Standard	3610 Entity
Code	CL I: Div 1: GP A, B, C, & D: T4 @ 60°C
File	3022662

Standard	3611 Nonincendive
Code	CL I: Div 2: GP A, B, C, & D: T4 @ 60°C
File	3022662

Environmental

Operating temperature	-20 to 60°C
Storage temperature	-40 to 85°C
Relative humidity	5 to 95% non condensing
Operating life	100,000 hours typical
Enclosure	Front IP66 Rear IP20 - see accessories for optional IP65 rear sealing assembly.
EMC	In accordance with EU Directive 89/336/EEC, full report available.
Immunity	No degradation of brightness for 10V/m field strength
Emissions	Electromagnetically benign

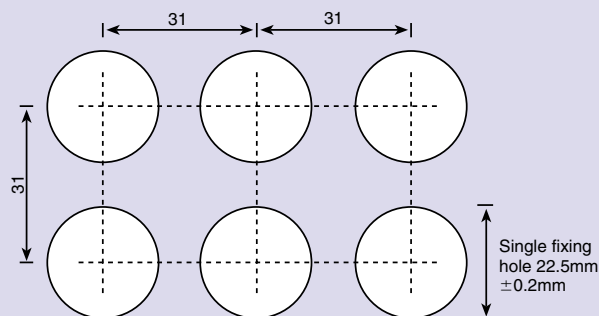
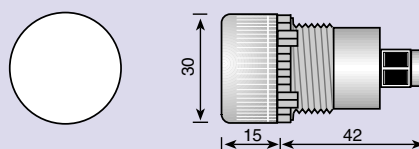
Mechanical

Terminals	Screw clamp for 1.5mm ²
Lens material	Polycarbonate
Body material	Nylon 6
Weight	18g

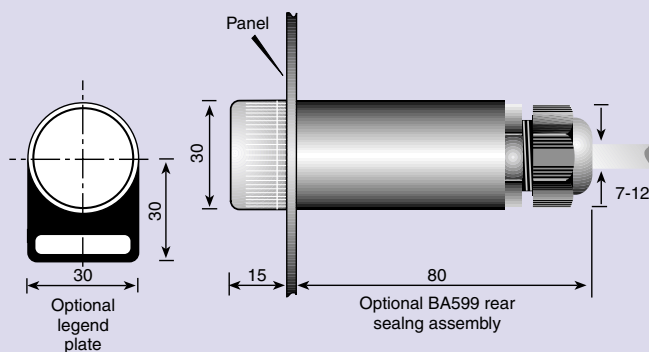
Accessories

Legend plate	Will accommodate up to two rows of ten alphanumeric characters
--------------	--

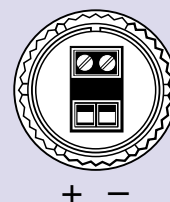
DIMENSIONS (mm)



Fixing centres for maximum packing density.
Special tool may be required to tighten fixing nuts when minimum spacing is used.



TERMINAL CONNECTIONS



HOW TO ORDER

Lamp colour

Red
Amber
Green
Blue
White

Please specify

BA390R
BA390A
BA390G
BA390B
BA390W

Accessories

Legend plate
Rear sealing assembly

Please specify if required

Legend
BA599 provides IP65 protection for terminals and rear of the lamp. Supplied with gland for 7 to 12mm diameter cable.

Example

Model number & colour	BA390A
Legend plate	START