

BEKA field mounting instruments are housed in two styles of enclosure. Instruments with a 'D' or 'E' suffix e.g. BA484D or BA304E have a 212 x 141mm GRP enclosure incorporating a separate terminal compartment.

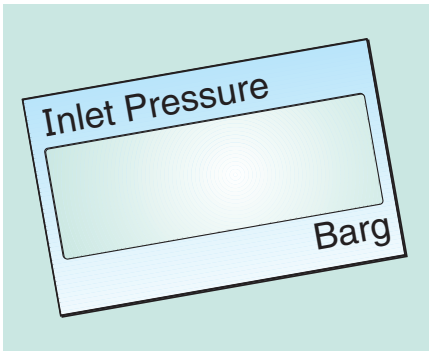
Field mounting instruments with a 'G' suffix have a compact 120 x 122mm GRP or Stainless Steel enclosure.

'D' AND 'E' INSTRUMENTS

MARKING

Escutcheon Scale and Tag Marking

All field mounting instruments with a 'D' or 'E' suffix apart from serial [data] text displays, fieldbus displays and batch controllers have an internal escutcheon around the display to accommodate scale and tag marking. If requested the instrument can be supplied with the escutcheon printed to show customer specified units of measurement, tag or application information.



Escutcheon printed with customer specified information.

External stainless steel legend plate

For customers requiring traditional labelling, all 'D' and 'E' instruments can be supplied with a laser engraved stainless steel legend plate showing customer specified information fitted to the front of the captive terminal cover.

Each plate can accommodate:

1 row of 10 alphanumeric characters 10mm high.

or 2 rows each of 15 alphanumeric characters 7mm high.

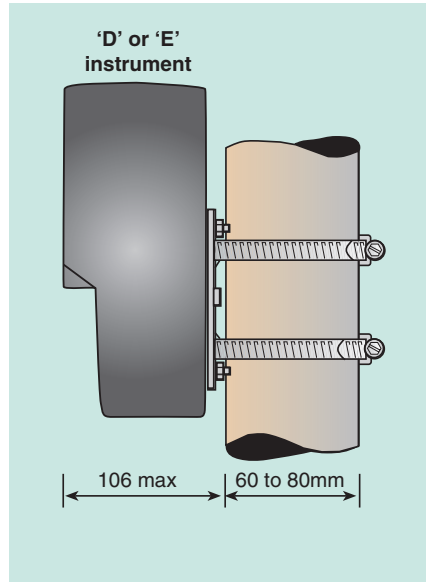
or 3 rows each of 24 alphanumeric characters 5mm high.



Etched legend plate

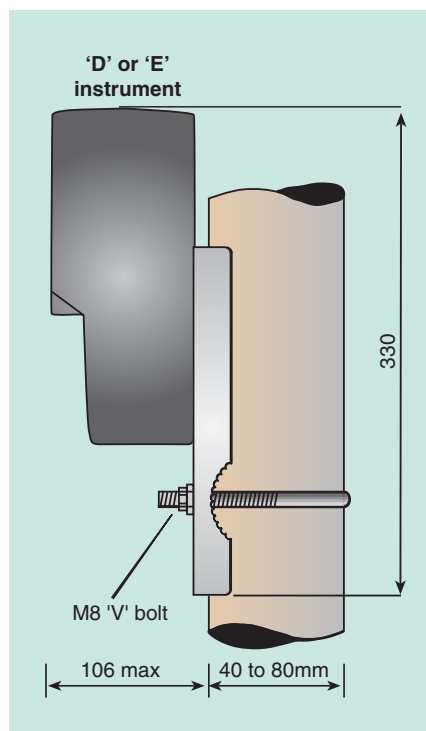
PIPE MOUNTING KITS

BA392D Standard duty stainless steel bracket secured by two stainless steel worm drive hose clips which attach instrument to any 60 to 80mm outside diameter vertical or horizontal pipe. Usually suitable for clamping to a 2 inch internal diameter metal pipe.



BA392D pipe mounting kit

BA393 Heavy duty 316 stainless steel pipe mounting bracket using a single 'V' bolt which attaches instrument to any vertical or horizontal pipe with an outside diameter between 40 and 80mm. Will also support BEx series flameproof sounders and beacons.



BA393 pipe mounting kit

Accessories

For field mounting instruments

www.beka.co.uk/accessories

BEKA

associates

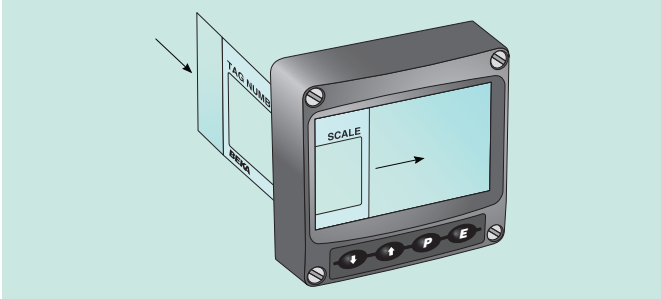
BEKA associates Ltd. Old Charlton Rd.
Hitchin, Hertfordshire, SG5 2DA, U.K.
Tel. (01462) 438301 Fax (01462) 453971
e-mail sales@beka.co.uk www.beka.co.uk

'G' GRP & STAINLESS STEEL INSTRUMENTS

MARKING

Slide-in scale card

All 'G' suffix field mounting instruments have a slide-in scale card which can accommodate scale and tag marking. If requested the instrument can be supplied with the scale card printed to show customer specified units of measurement, tag and application information for no additional charge.



Slide-in scale card

External stainless steel legend plate

For customers requiring traditional labelling, 'G' instruments can be supplied with a laser engraved stainless steel legend plate showing customer specified information.

Each plate can accommodate:

1 row of 4 alphanumeric characters 15mm high.

or 2 rows each of 8 alphanumeric characters 10mm high.

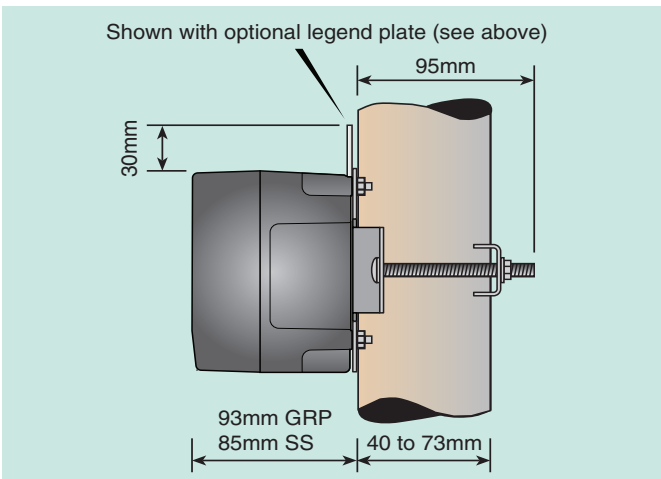
or 3 rows each of 17 alphanumeric characters 6.3mm high.



Engraved legend plate

PIPE MOUNTING KIT

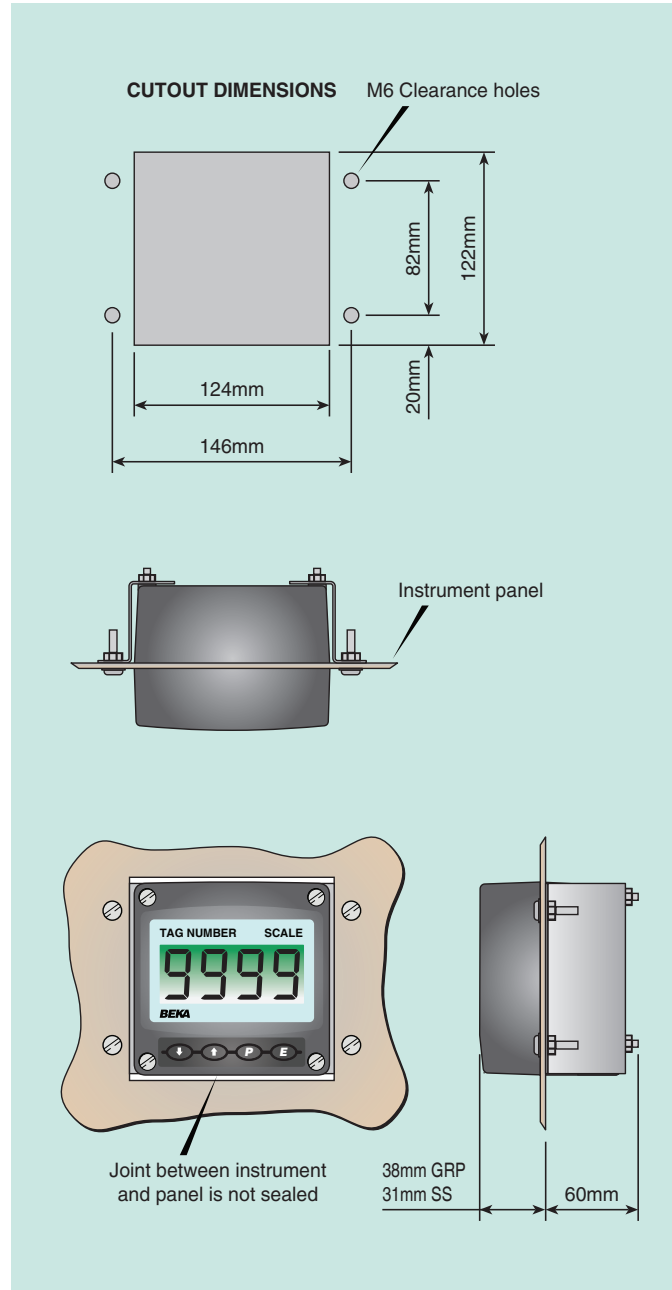
BA393G 316 stainless steel pipe mounting bracket attaches a GRP or Stainless Steel instrument to any vertical or horizontal pipe with an outside diameter between 40 and 73mm.



BA393G pipe mounting kit

PANEL MOUNTING KITS

The **BA394G** 316 stainless steel panel mounting kit secures a 'G' field mounting GRP or Stainless Steel instrument into an aperture in an instrument panel. It maintains the ingress integrity of the 'G' instrument but does not seal the joint between the instrument and the panel, it is therefore suitable for use on an open panel. If a seal is required between the front and rear of the instrument panel, a BA494G or BA494G-SS panel mounting kit should be used.



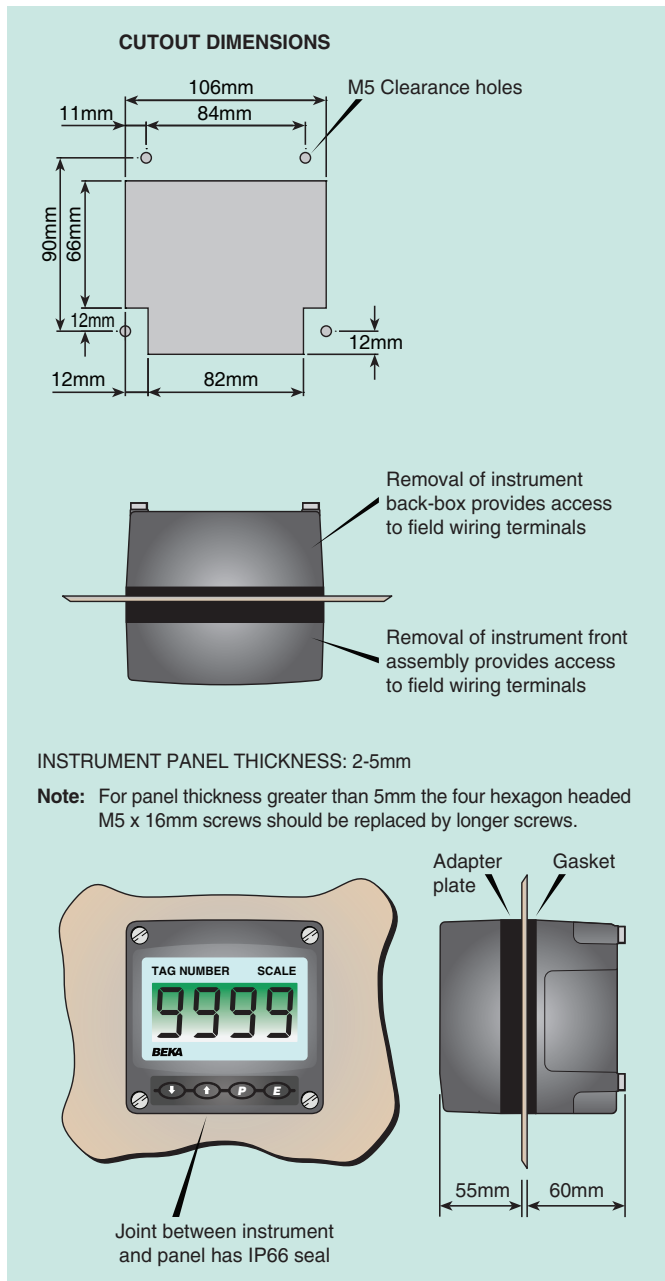
BA394G panel mounting kit

PANEL MOUNTING KITS FOR 'G' INSTRUMENTS WITH GRP ENCLOSURE

The **BA494G** panel mounting kit secures a 'G' field mounting GRP instrument in an instrument panel aperture. The kit maintains the instrument's IP66 integrity and provides an IP66 seal between the front and rear of the instrument panel. Sealing has been independently verified by a UKAS registered test house Parc. See http://www.beka.co.uk/certificates/ingress_protection.html for their test certificate.

The BA494G is manufactured from the same compression moulded carbon loaded material as the 'G' enclosure and has 316 stainless steel fittings and silicone gaskets. The BA494G has IECEx and ATEX certification confirming that it will not invalidate the intrinsic safety gas certification of any 'G' instrument that it is supporting. It is not certified for use in dust atmospheres or with 'SG' instruments.

Installation of the panel mounting kit and 'G' GRP instrument only requires access to one side of the panel at a time and may therefore be performed by a single technician. After installation access to the instrument terminals is available from both sides of the panel.



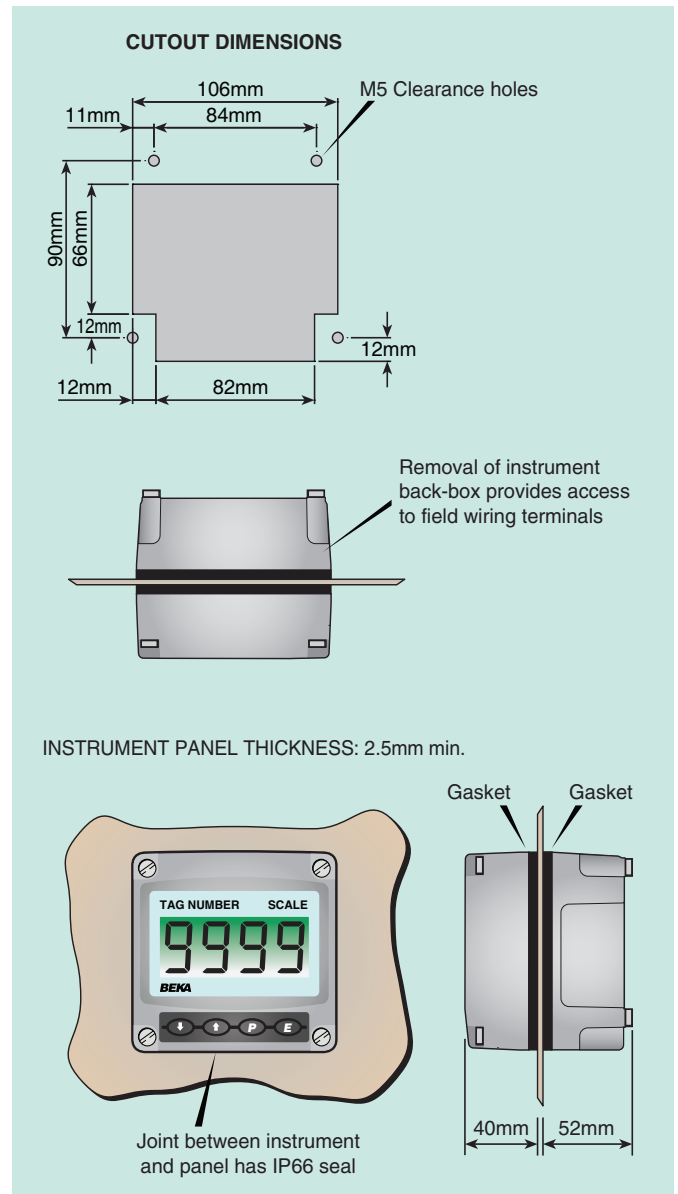
BA494G panel mounting kit for GRP enclosure

PANEL MOUNTING KITS FOR 'G' INSTRUMENTS WITH STAINLESS STEEL ENCLOSURE

The **BA494G-SS** panel mounting kit secures a 'G' field mounting stainless steel instrument in an instrument panel aperture. The kit maintains the instrument's IP66 integrity and provides an IP66 seal between the front and rear of the instrument panel.

The kit consists of two silicone gaskets and pillars to secure the instrument assembly to the outside of the panel. The kit also contains screws to mount the instrument's back-box to the rear of the instrument panel.

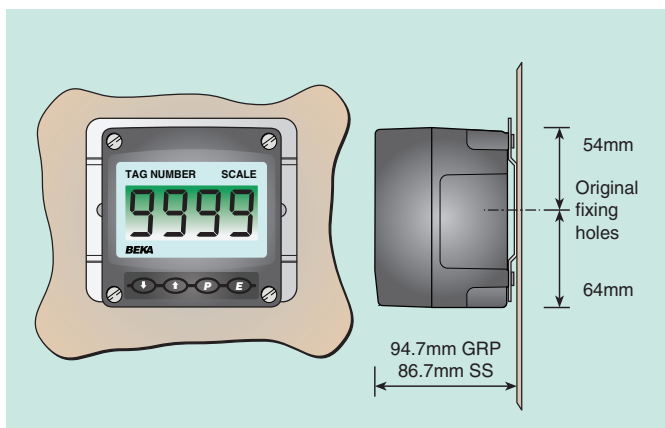
The stainless steel enclosure has IECEx component certification confirming that it provides IP66 ingress protection after impact and thermal endurance testing.



BA494G-SS panel mounting kit for Stainless Steel enclosure

SURFACE MOUNTING KIT

The **BA496G** surface mounting kit enables a BEKA 'G' GRP or Stainless Steel field instrument to replace a surface mounting BEKA 'E' or 'D' field mounting instrument using the existing surface mounting holes.



BA496G Surface Mounting Kit

HOW TO ORDER

'D' and 'E' instruments

Escutcheon marking
Scale
Tag or application

Please specify

Legend required
Legend required

Stainless steel legend plate

Legend required

Pipe mounting kit

Model number BA392D or BA393.

'G' instruments

Scale card marking
Scale
Tag or application

Please specify

Legend required
Legend required

Stainless steel legend plate

Legend required

Pipe mounting kit for a GRP or a stainless steel 'G' enclosure.

BA393G

Panel mounting kit for a GRP or a stainless steel 'G' enclosure. Front to rear of the instrument panel is not sealed.

BA394G

Panel mounting kit for a GRP 'G' enclosure. Front to rear of the instrument panel is sealed. *Not suitable for 'NG' and 'SG' instruments.*

BA494G

Panel mounting kit for a stainless steel 'G' enclosure. Front to rear of the instrument panel is sealed.

BA494G-SS

Surface mounting kit for a GRP or a stainless steel 'G' enclosure.

BA496G